

Spare parts list

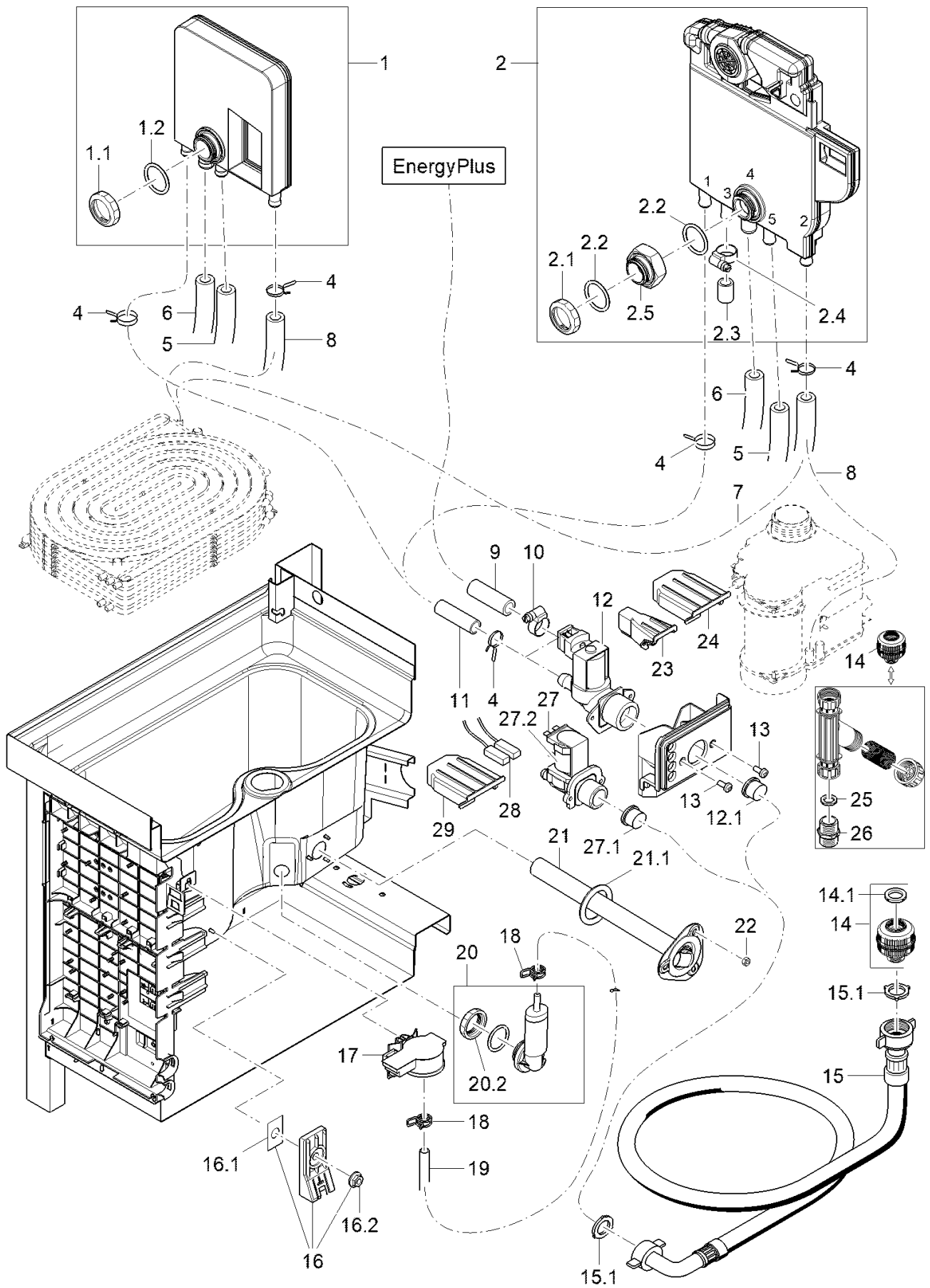
PT-M V01



Contents

	Page
Water inlet, Tank heating	4
Water softener	8
Filter system, Pump pot	10
Wash pump	12
Lower wash system	14
Top wash system	16
Boiler	18
Rinse pump	20
Water circuit	22
Dosage	24
Hood	26
Chassis, container	30
Panelling	32
EnergyPlus (1)	34
EnergyPlus (1)	36
EnergyPlus (2)	38
Heat pump ClimatePlus	40
Rear panel + air vent	40
Intermediate circuit I	42
Intermediate circuit II	44
Cross flow fan	46
Panelling	48
Heat pump	50
Hoses	52
Electric parts	54
Automatic hood opening (option)	56
Accessories	58

Water inlet, Tank heating

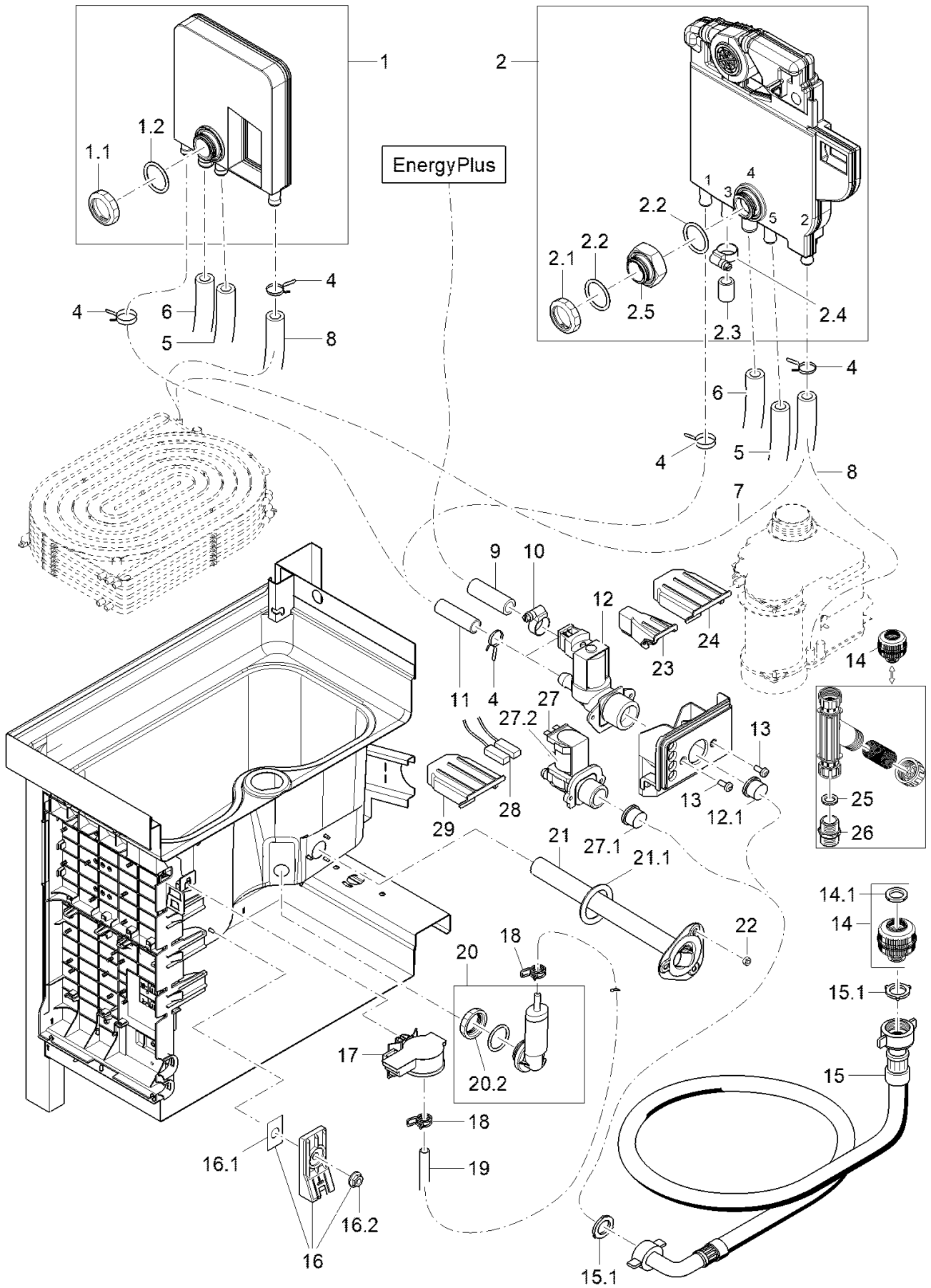


61008501-00

Water inlet, Tank heating

Pos.	Part No.	Description; Dimensions	Quantity; Unit up to ...	from ...	Remarks
1	30000128	KIT BACK FLOW PREVENTER	1 Pc		
1.1	60004612	Nut D26,2 X 8,5; SW32	1 Pc	3067699	
1.1	62003853	NUT D26,2 X 16,8; SW32	1 Pc	3067698	
1.2	30014285	O-Ring 25,7 X 3,0	1 Pc	3070034	
1.2	30012629	O-ring 30 X 3	1 Pc	3070035	
2	30000127	Kit back flow preventer type "air gap"	1 Pc		
2.1	62003853	NUT D26,2 X 16,8; SW32	1 Pc	3067698	
2.1	60004612	Nut D26,2 X 8,5; SW32	1 Pc	3067699	
2.2	30012629	O-ring 30 X 3	1 Pc	3070035	
2.2	30014285	O-Ring 25,7 X 3,0	1 Pc	3070034	
2.3	60004630	LOCKING CAP DN10 X 2,0 X 19	1 Pc		
2.4	30000711	Hose clamp D12-22 X 9	1 Pc		
2.5	61009423	Kit extension piece	1 Pc		
4	2802344	WIRE HOSE CLAMP D14,4 X 15,1	1 Pc		
5	30017775	Kit moulded hose universal DN10xDN13	1 Pc		cut to size
6	4002035	Industrial hose DN13 X 3,5	62,5 cm		
7	4001050	HOSE DN10 X 2,0	87 cm		
8	4001050	HOSE DN10 X 2,0	87 cm		
9	30017798	Kit moulded hose universal DN10	1 Pc		cut to size
10	30000711	Hose clamp D12-22 X 9	1 Pc		
11	4001050	HOSE DN10 X 2,0	87 cm		
12	3106250	Solenoid valve flow restrictor 4l 230-240V 50/60HZ RAST5	1 Pc		
12.1	3106186	SOLENOID VALVE FILTER	1 Pc		
13	30000931	Lens head screw M4 X 12; ANTRIEB TORX 20	2 Pc		
14	80004911	Dirt trap D58,8 X 61	1 Pc		
14.1	83001022	Gasket D16 X D24 X 3,0	1 Pc		
15	4002060	WATER SUPPLY HOSE DN13 X 3,5; 2500	1 Pc		
15.1	83001022	Gasket D16 X D24 X 3,0	2 Pc		
16	30002179	Kit thermo sensor	1 Pc		
16.1	82000121	Heat conducting foil with hole 0,27 X 32 X 60	1 Pc		
16.2	2101310	Ratchet nut M5	1 Pc		
17	3126044	Pressure transmitter 0-30MBAR;5VDC/0,5-3,5V	1 Pc		
18	2802348	Wire hose clamp D8,6 X 1	2 Pc		
19	30013259	Hose DN4,8 X 1,6 X 100000	43 cm		
20	60003525	Kit air pressure chamber	1 Pc		
20.2	60004612	Nut D26,2 X 8,5; SW32	1 Pc		
21	30017049	Kit tank heating element	1 Pc		Alternatively predecessor 30002495 may be used
21	30017049	Kit tank heating element	2 Pc		PT-x Cool; Alternatively predecessor 30002495 may be used
21.1	30014176	O-ring 34 X 6,0	1 Pc		
21.1	30014176	O-ring 34 X 6,0	1 Pc		
22	2101203	Hexagonal nut M5	3 Pc		
23	60002712	Cover solenoid valve 31,3 X 33,7 X 63	1 Pc		
24	30013383	Kit cap solenoid valve	1 Pc		
25	83001022	Gasket D16 X D24 X 3,0	1 Pc		

Water inlet, Tank heating

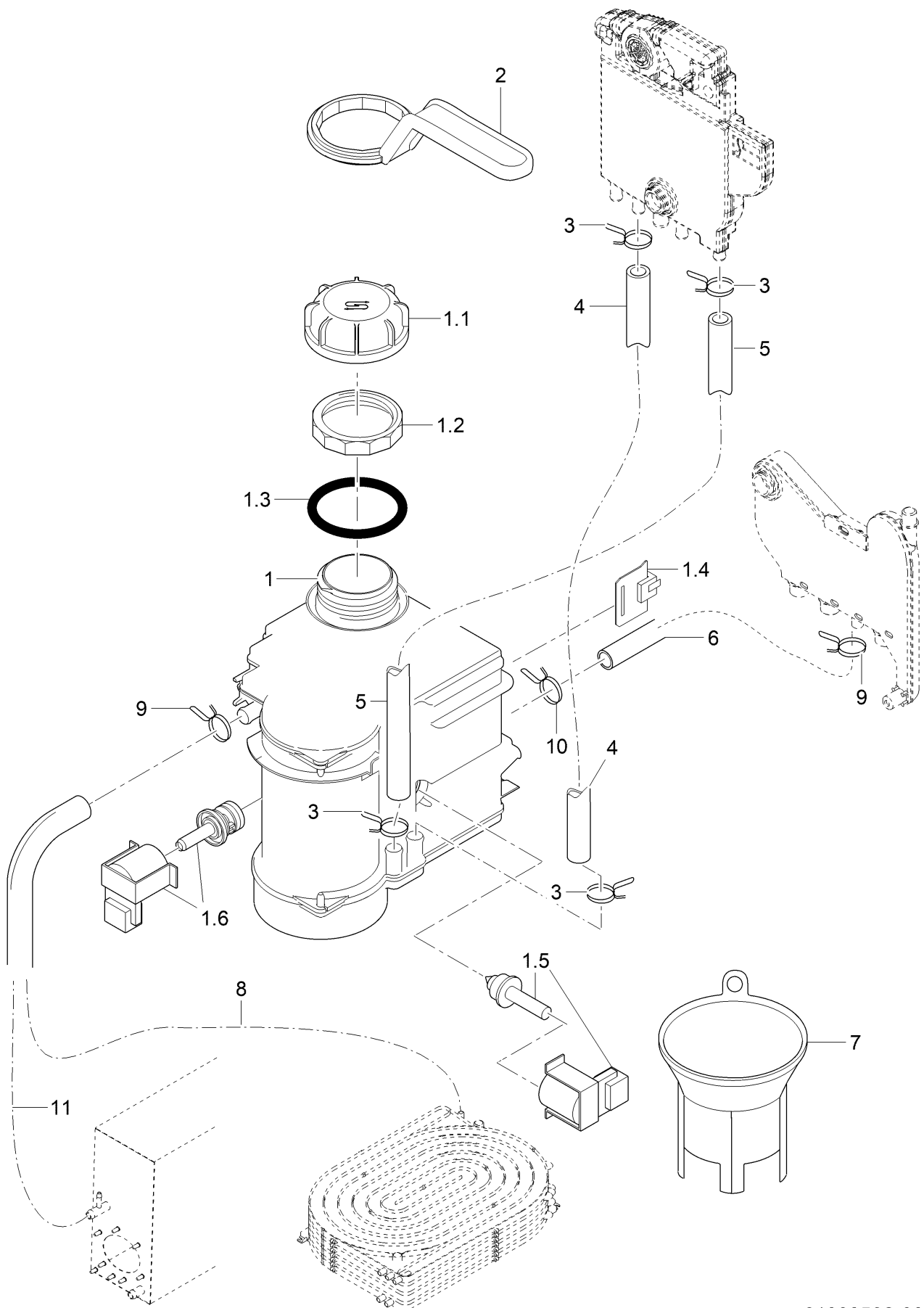


61008501-00

Water inlet, Tank heating

Pos.	Part No.	Description; Dimensions	Quantity; Unit up to ...	from ...	Remarks
26	80002167	DOUBLE NIPPLE G 3/4" X 40; SW30	1 Pc		
27	3106251	Solenoid valve flow restrictor 4l 200-240V/50-60HZ/+/-10%; TM90	1 Pc		Japan; Australia
27.1	3106118	Dirt filter	1 Pc		
27.2	3106153	Coil 200-240V/50-60HZ/+/-10%	1 Pc		
28	60004141	Adapter cable 0,75QMM	1 Pc		
29	30013383	Kit cap solenoid valve	1 Pc		

Water softener

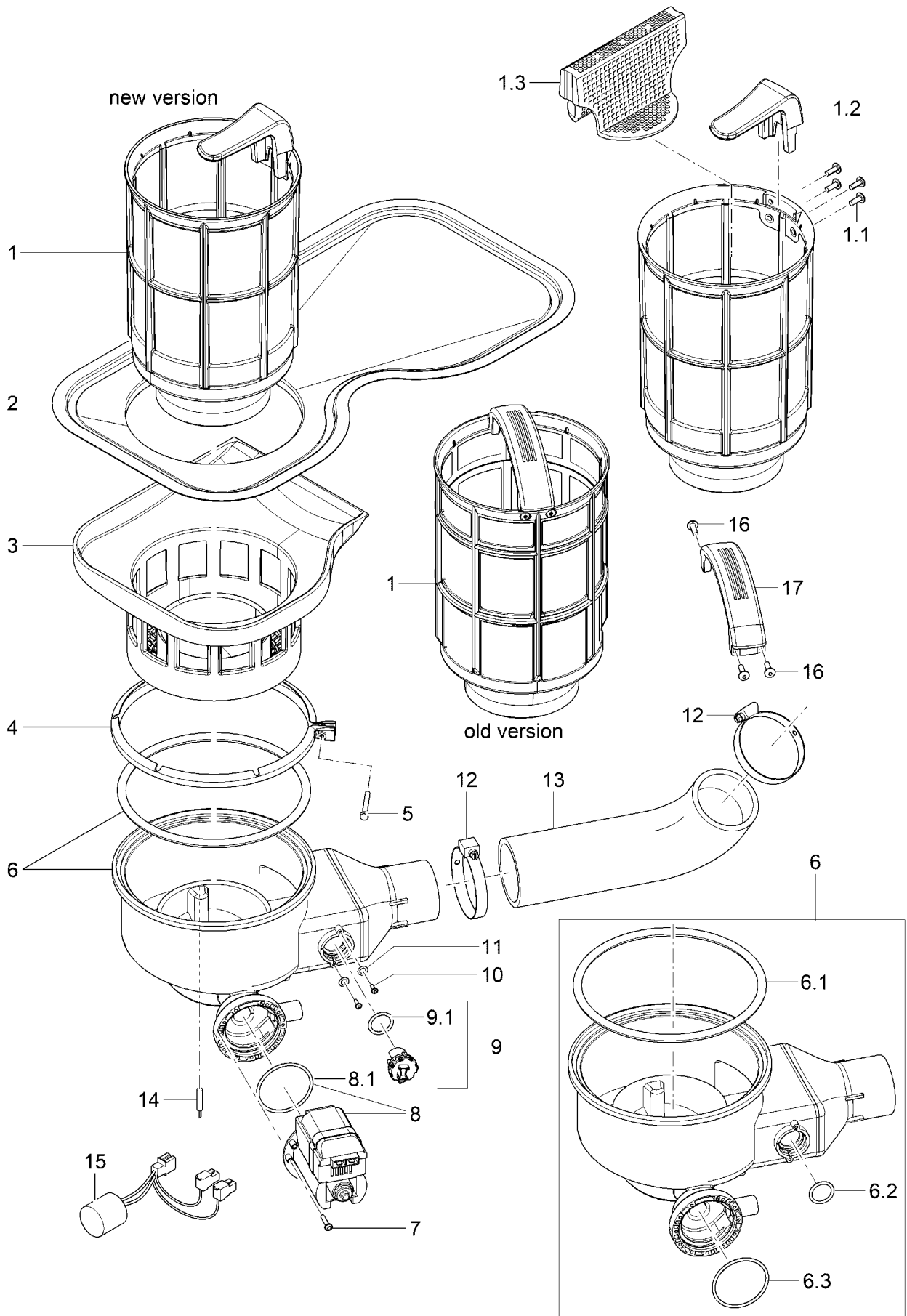


61008502-00

Water softener

Pos.	Part No.	Description; Dimensions	Quantity; Unit up to ...	from ...	Remarks
1	83000420	Water softener kit 220-240V; 50/60HZ	1 Pc		
1.1	60004894	Screw cap	1 Pc		
1.2	60003001	Lock nut S54 X 4; D56	1 Pc		
1.3	30014791	O-ring 54 X 5,0	1 Pc		
1.4	83000408	Dry reed contact lack of salt	1 Pc		
1.5	83000402	Repair kit Regeneration valve 220-240V, 50/60HZ	1 Pc		
1.6	83000460	Repair kit reversing valve 220-240V,50/60HZ	1 Pc		
2	60003376	Double hex ring spanner SW61,5	1 Pc		
3	2802344	WIRE HOSE CLAMP D14,4 X 15,1	1 Pc		
4	4001050	HOSE DN10 X 2,0	87 cm		
5	4001050	HOSE DN10 X 2,0	87 cm		
6	30017798	Kit moulded hose universal DN10	1 Pc		cut to size
7	83000501	Filling funnel D155 X 122,6	1 Pc		
8	30017798	Kit moulded hose universal DN10	1 Pc		cut to size
9	2802352	WIRE HOSE CLAMP D16,4 X 1,8	2 Pc		
10	2802344	WIRE HOSE CLAMP D14,4 X 15,1	1 Pc		
11	61006920	Moulded hose DN10 X DN11 X 2,5	1 Pc		

Filter system, Pump pot

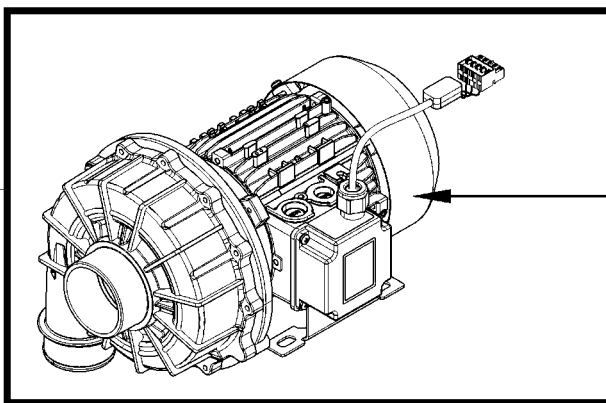
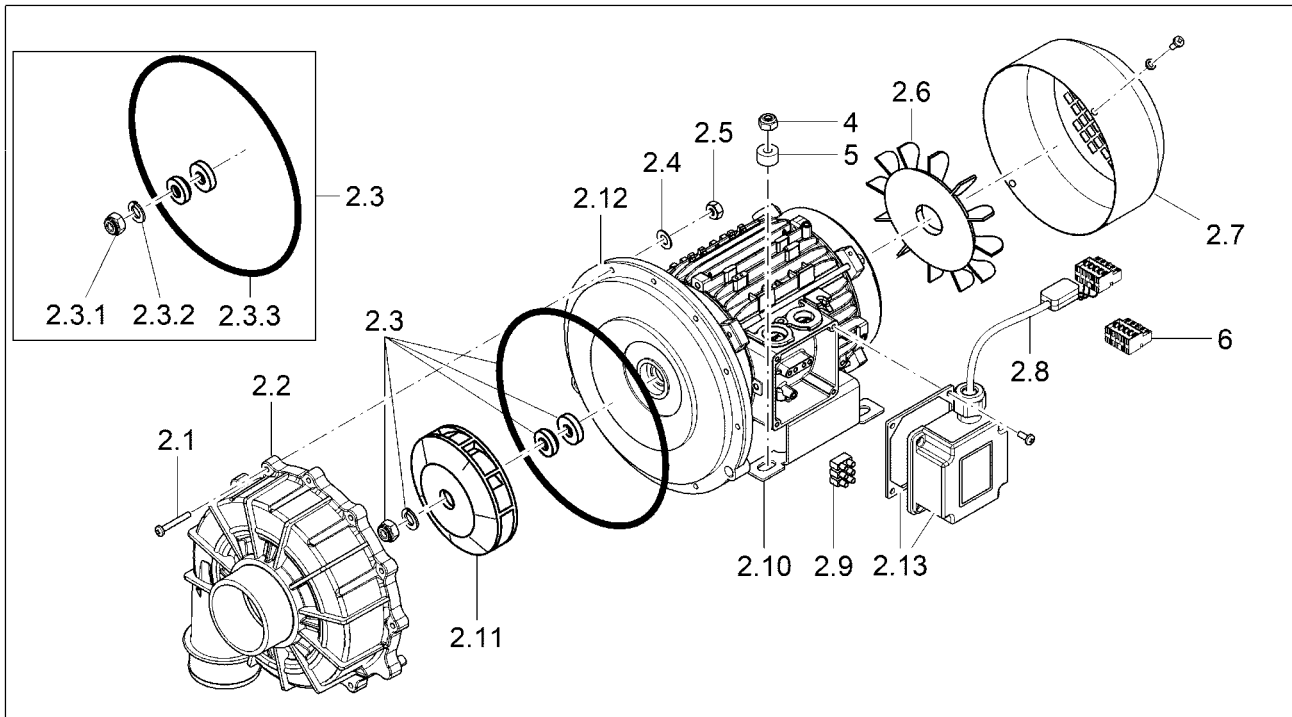


61008503-00

Filter system, Pump pot

Pos.	Part No.	Description; Dimensions	Quantity; Unit up to ...	from ...	Remarks
1	61009594	Filter cylinder D165,4 X D182,4 X 325,6	1 Pc		Alternatively predecessor 61006867 may be used
1.1	30000683	PT Screw KB 50 X 14	4 Pc		
1.2	61009629	Handle 51,5 X 70,5 X 104	1 Pc		
1.3	61009633	Filter insert D109,8 X 85 X 155,39	1 Pc		
2	61006889	Wash tank cover	1 Pc		
3	61007009	Pump inlet filter	1 Pc		
4	61006831	Clamp 1,0 X D209 (INNENDURCHMESSER)	1 Pc		
5	2001329	HEXAGON SCREW M5 X 40; A70	1 Pc		
6	30002185	Kit pump collector	1 Pc		
6.1	61007114	O-ring D182 X D8,7	1 Pc		
6.2	30014177	O-ring 21 X 3,0	1 Pc		
6.3	61007113	O-ring D55 X 3	1 Pc		
7	30002059	PT-screw KB 40 X 20	3 Pc		
8	30002172	Drain pump 200-240V/50HZ	1 Pc		
8	30002173	Drain pump 200-240V/60HZ	1 Pc		
8.1	61007113	O-ring D55 X 3	1 Pc		
9	30000168	Kit diffusion sensor	1 Pc		
9.1	30014177	O-ring 21 X 3,0	1 Pc		
10	30002832	PT screw KB30 X 10;	2 Pc		
11	2201006	Washer A3,2	2 Pc		
12	30002614	Hose clamp 70 - 90MM / 12MM	2 Pc		
13	61006770	Moulded hose DN61 X 6,0	1 Pc		
14	30000364	KIT MAGNET SWITCH 25,5 X D5,8	1 Pc		
15	30012015	RC element 0,47 µFX1+ 470R; 275VAC HMF	1 Pc	3042716	
16	30000683	PT Screw KB 50 X 14	4 Pc		
17	61006963	Handle	1 Pc		

Wash pump

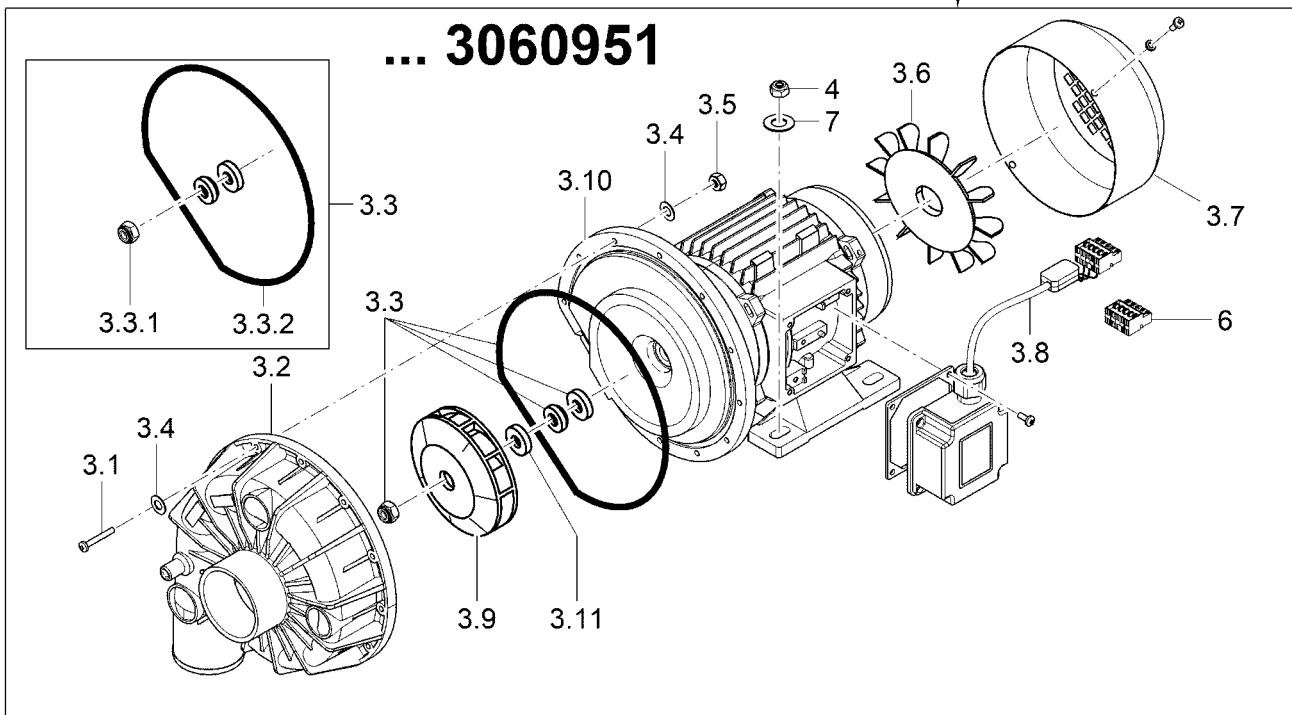


2 blau/blue/bleu



3 silber/silver/argenté

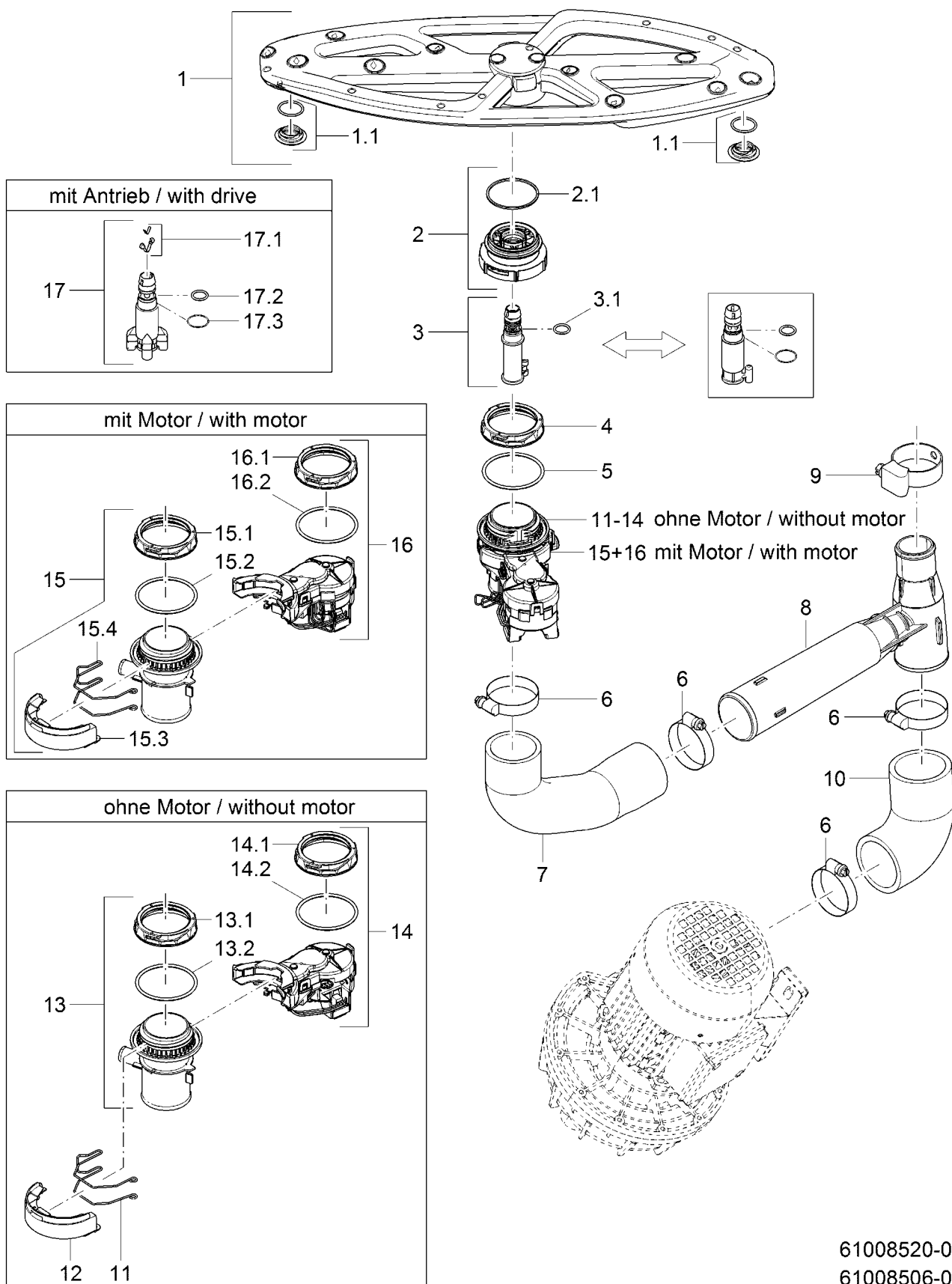
61008504-00



Wash pump

Pos.	Part No.	Description; Dimensions	Quantity; Unit up to ...	from ...	Remarks
2	30001012	Pump 0,95kW 9/1 230V/3	1 Pc		universal pump for all PT-M models
2.1	2010316	Pan head screw M4 X 30	10 Pc		
2.2	30002523	Pump housing	1 Pc		
2.3	30002531	Sealing kit 0,95 kW	1 Pc		
2.3.1	2105306	HEXAGONAL NUT SELF SECURING M8	1 Pc		
2.3.2	2303301	Spring washer B8	1 Pc		
2.3.3	30002524	O-ring	1 Pc		
2.4	2202302	Washer D4,3 X D8 X 0,5	10 Pc		
2.5	2105300	Hexagonal nut self securing M4	10 Pc		
2.6	30002528	Fan blade	1 Pc		
2.7	30002529	Fan cover	1 Pc		
2.8	30002537	Cable pump set	1 Pc		
2.9	30002539	Terminal	1 Pc		
2.10	30002542	Foot for pump	2 Pc		
2.11	30002525	Impeller D = 80MM	1 Pc		
2.12	30011511	Flange	1 Pc		
2.13	30017800	Terminal box with gasket	1 Pc		
3	80004703	Pump with silver fan cover	1 Pc	3060951	
3.1	2001020	Hexagon screw M4 X 25; 8.8	11 Pc		
3.1	2001320	Hexagon screw M4 X 18	1 Pc		
3.2	30002583	Pump housing	1 Pc		
3.3	30002598	Sealing kit	1 Pc		
3.3.1	2110305	Cap nut self securing M8	1 Pc		
3.3.2	30002581	O-ring	1 Pc		
3.4	2202302	Washer D4,3 X D8 X 0,5	12 Pc		
3.5	2105300	Hexagonal nut self securing M4	12 Pc		
3.6	30002742	Fan blade	1 Pc		
3.7	30002731	Fan hood	1 Pc		
3.8	30002537	Cable pump set	1 Pc		
3.9	30001617	Pump impeller D=93 X 27MM CLOSED	1 Pc		
3.10	30002582	Flange	1 Pc		
3.11	30012073	Spacing ring	1 Pc		
4	2105304	Hexagonal nut self securing M6	2 Pc		
5	61007751	Distance bushing D6,5 X D16 X 9	2 Pc		until 06/2022 installed ex works, not required as spare part
6	30000548	Macro-module plug 5, 5-pole 250V; 10A; 2,5MM ² 1	1 Pc		
7	2205302	Washer D6,4 X D18 X 1,6	2 Pc		

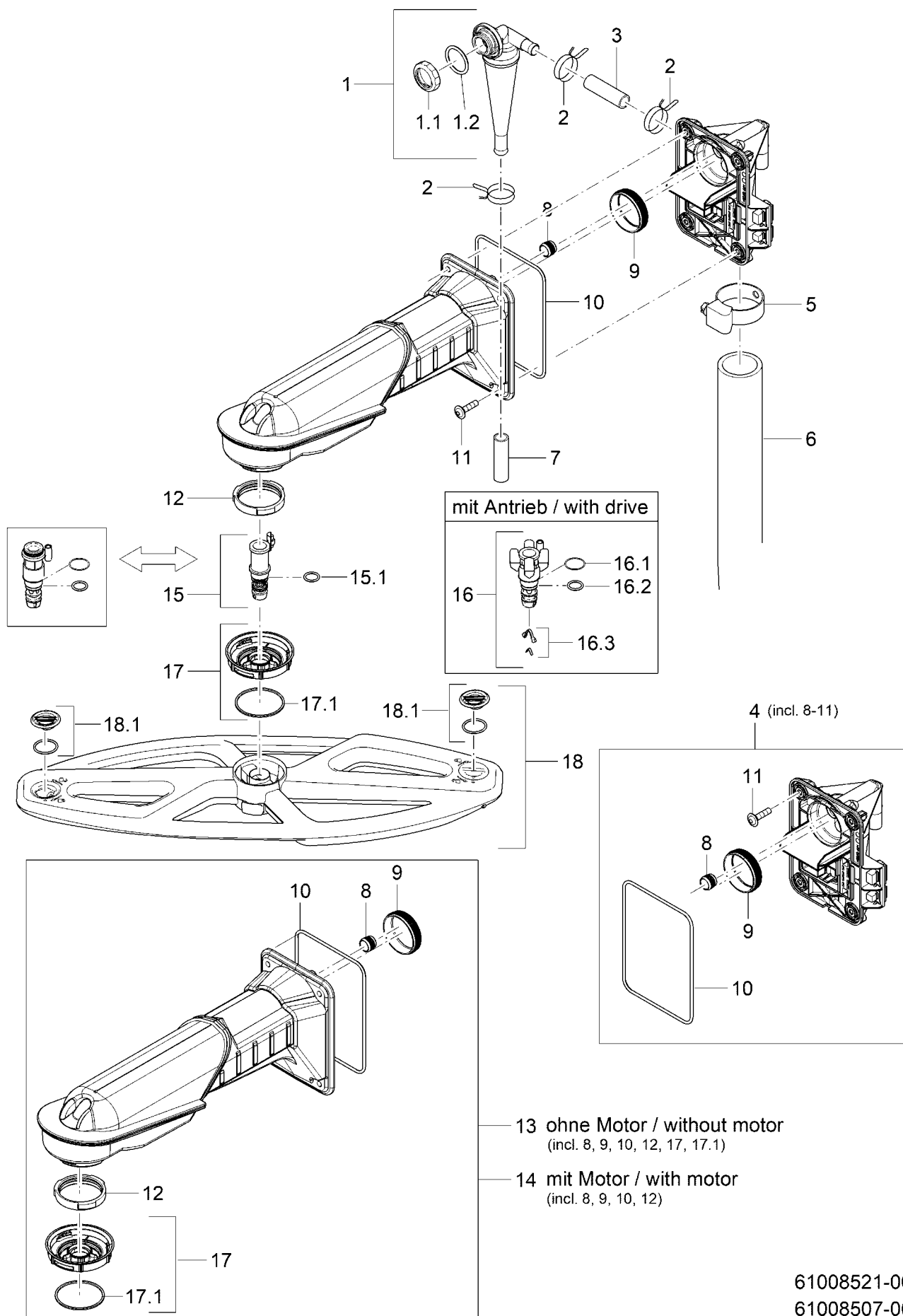
Lower wash system



Lower wash system

Pos.	Part No.	Description; Dimensions	Quantity; Unit up to ...	from ...	Remarks
1	30002770	Wash field kit (M) 514 X 186 MM	1 Pc		
1.1	60004854	Plug	2 Pc		
2	61007025	Locking ring bottom	1 Pc		
2.1	60004430	Seal ring D47,6 X D52,2 X 1,6	1 Pc		
3	61009631	Axis, bottom 29,79 X 86	1 Pc		
3.1	30000251	O-ring 13 X 2	1 Pc		
4	61006990	Lock nut	1 Pc		
5	61007112	O-ring D60 X 3	1 Pc		
6	30001243	Hose clamp D50-70 x 12	4 Pc		
7	61006768	Moulded hose DN46 X DN49 X 5,0	1 Pc		
8	61006967	T-piece	1 Pc		
9	30002613	Hose clamp 32 - 50MM / 12MM	1 Pc		
10	61006769	Moulded hose DN51 X 6,0	1 Pc		
11	61007225	Clip	1 Pc		
12	61006994	Cover	1 Pc		
13	30002227	Kit water inlet bottom	1 Pc		
13.1	61006990	Lock nut	1 Pc		
13.2	61007112	O-ring D60 X 3	1 Pc		
14	30002346	Kit sensor for water inlet bottom	1 Pc		
14.1	61006990	Lock nut	1 Pc		
14.2	61007112	O-ring D60 X 3	1 Pc		
15	30002343	Kit water inlet bottom	1 Pc		
15.1	61006990	Lock nut	1 Pc		
15.2	61007112	O-ring D60 X 3	1 Pc		
15.3	61006994	Cover	1 Pc		
15.4	61007225	Clip	1 Pc		
16	30002344	Kit drive for water inlet bottom	1 Pc		
16.1	61006990	Lock nut	1 Pc		
16.2	61007112	O-ring D60 X 3	1 Pc		
17	61007022	Axis bottom with magnets	1 Pc		
17.1	30002491	Leaf spring repair kit	1 Pc		
17.2	30000251	O-ring 13 X 2	1 Pc		
17.3	61008019	Slip ring D22,5 X D18 X 0,5	1 Pc		

Top wash system

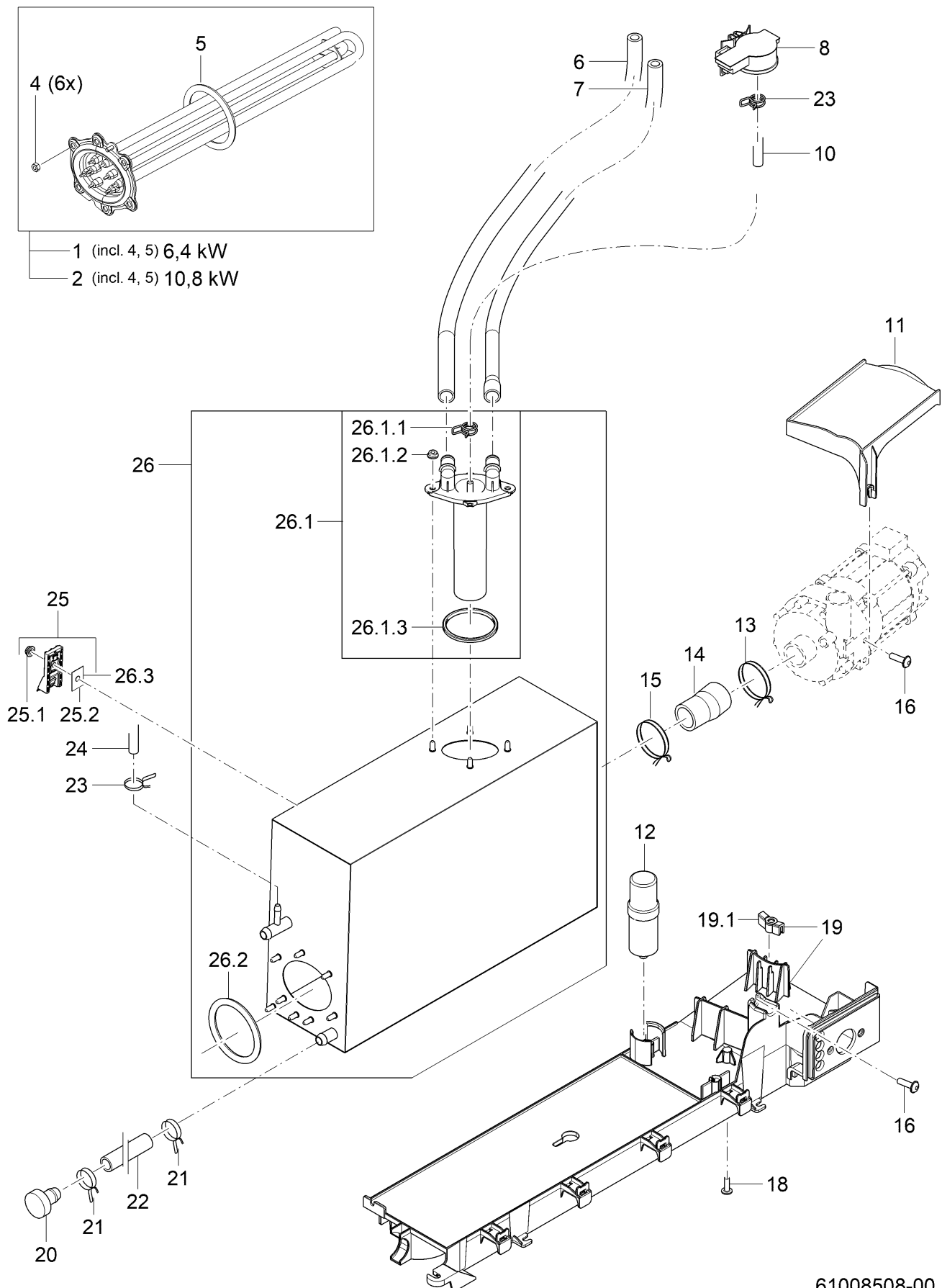


61008521-00
61008507-00

Top wash system

Pos.	Part No.	Description; Dimensions	Quantity; Unit up to ...	from ...	Remarks
1	30001274	Kit Mediamat	1 Pc		
1.1	60004612	Nut D26,2 X 8,5; SW32	1 Pc		
1.2	30012629	O-ring 30 X 3	1 Pc		
2	2802353	WIRE HOSE CLAMP D17,3 X 1,8	4 Pc		
3	60004628	Hose DN10,5 X 3,0; 139	1 Pc		cut to size
4	30002151	Water inlet top	1 Pc		
5	30002613	Hose clamp 32 - 50MM / 12MM	1 Pc		
6	61007941	Hose DN37 X 5,0; 783	1 Pc		cut to size
7	30015379	Kit moulded hose universal DN12,5 DN 12,5	1 Pc		
8	61006985	Gasket D9,25 X D15,35 X 12	1 Pc		
9	61006984	Gasket D40,4 X D48,14 X 12	1 Pc		
10	61007866	Gasket D3,2; 104,7 X 144,33	1 Pc		
11	30001266	PT Screw with Nyseal KB 60 X 25	4 Pc		
12	61008075	Gasket D44,75 X D53,15 X 10,1	1 Pc		
13	61007314	Wash field take-up device	1 Pc		
14	30017048	Kit wash field take-up device	1 Pc		Alternatively predecessor 61007015 may be used
15	61009628	Axis, top 30,29 X 65,9	1 Pc		
15.1	30000251	O-ring 13 X 2	1 Pc		
16	61007030	Axis top with magnets	1 Pc		
16.1	61008019	Slip ring D22,5 X D18 X 0,5	1 Pc		
16.2	30000251	O-ring 13 X 2	1 Pc		
16.3	30002491	Leaf spring repair kit	1 Pc		
17	61007033	Locking ring	1 Pc		
17.1	60004430	Seal ring D47,6 X D52,2 X 1,6	1 Pc		
18	30002770	Wash field kit (M) 514 X 186 MM	1 Pc		
18.1	60004854	Plug	2 Pc		

Boiler

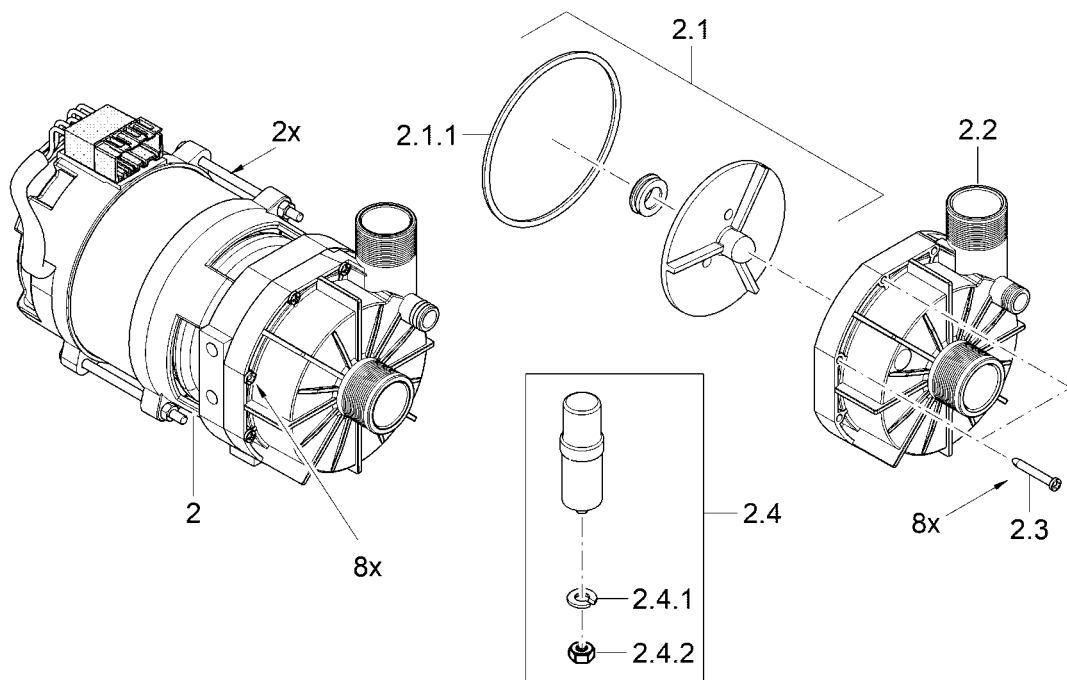
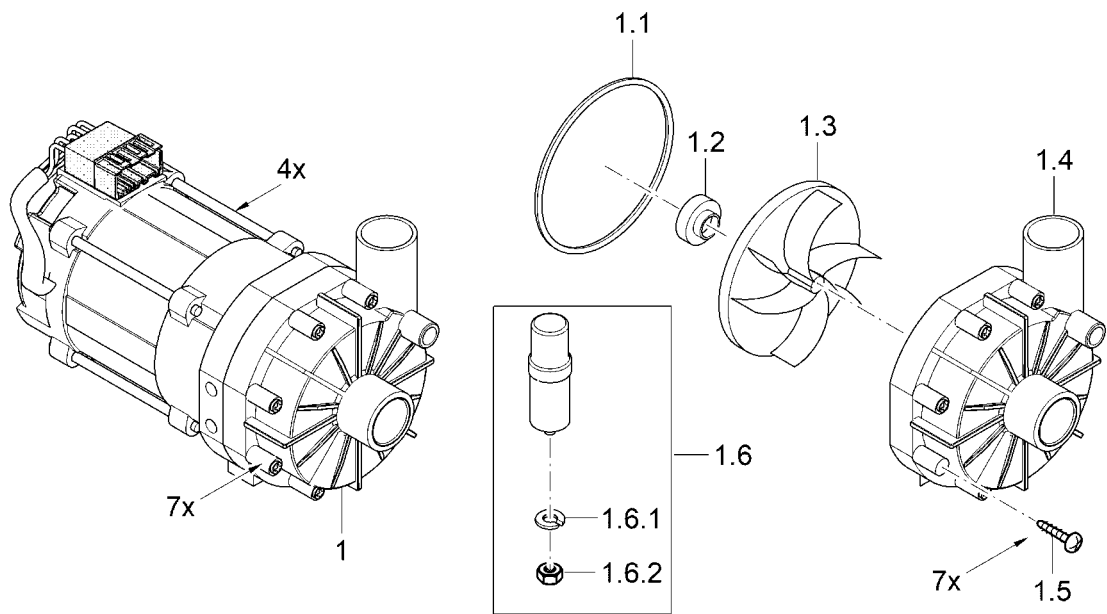


61008508-00

Boiler

Pos.	Part No.	Description; Dimensions	Quantity; Unit up to ...	from ...	Remarks
1	30002176	Kit Heater with fuse 6,4 kW 200-254V/380-440V	1 Pc		
2	30002178	Kit Heater with fuse 10,8 kW 200-254V/380-440V	1 Pc		
4	2101203	Hexagonal nut M5	6 Pc		
5	61006861	O-ring D60 X 7	1 Pc		
6	4002035	Industrial hose DN13 X 3,5	62,5 cm		
7	30017775	Kit moulded hose universal DN10xDN13	1 Pc		cut to size
8	3126044	Pressure transmitter 0-30MBAR;5VDC/0,5-3,5V	1 Pc		
10	30013259	Hose DN4,8 X 1,6 X 100000	39 cm		
11	61006966	Cover	1 Pc		
12	30015494	Kit Capacitor 5 MIKRO F	1 Pc		
13	2802364	WIRE HOSE CLAMP D35 X 3	1 Pc		
14	61007198	Moulded hose DN23 X DN26 X 3,5	1 Pc		
15	2802362	WIRE HOSE CLAMP D32,7 X 2,8	1 Pc		
16	30001256	Lens head screw with flange M6 X 20	1 Pc		
18	30000683	PT Screw KB 50 X 14	1 Pc		
19	30017075	Kit assembly plate	1 Pc		Alternatively predecessor 30015232 may be used
19.1	61009300	Edge protection 12,5 X 14,5 X 30,6	1 Pc		
20	70007962	Tube plug D24 X D13,1 X 27	1 Pc		
21	2802352	WIRE HOSE CLAMP D16,4 X 1,8	2 Pc		
22	30000863	HOSE DN10 X 2,0	20 cm		
23	2802348	Wire hose clamp D8,6 X 1	2 Pc		
24	4001027	HOSE BLUE DN5 X 1,5	32 cm		
25	30002179	Kit thermo sensor	1 Pc		
25.1	2101310	Ratchet nut M5	1 Pc		
25.2	82000121	Heat conducting foil with hole 0,27 X 32 X 60	1 Pc		
26	30002187	Set boiler	1 Pc		
26.1	30000115	KIT AIR VESSEL BOILER	1 Pc		
26.1.1	2802348	Wire hose clamp D8,6 X 1	1 Pc		
26.1.2	2101310	Ratchet nut M5	4 Pc		
26.1.3	30000134	FOUR LIP GASKET D50,39 X 3,53	1 Pc		
26.2	61006861	O-ring D60 X 7	1 Pc		
26.3	82000121	Heat conducting foil with hole 0,27 X 32 X 60	1 Pc		

Rinse pump

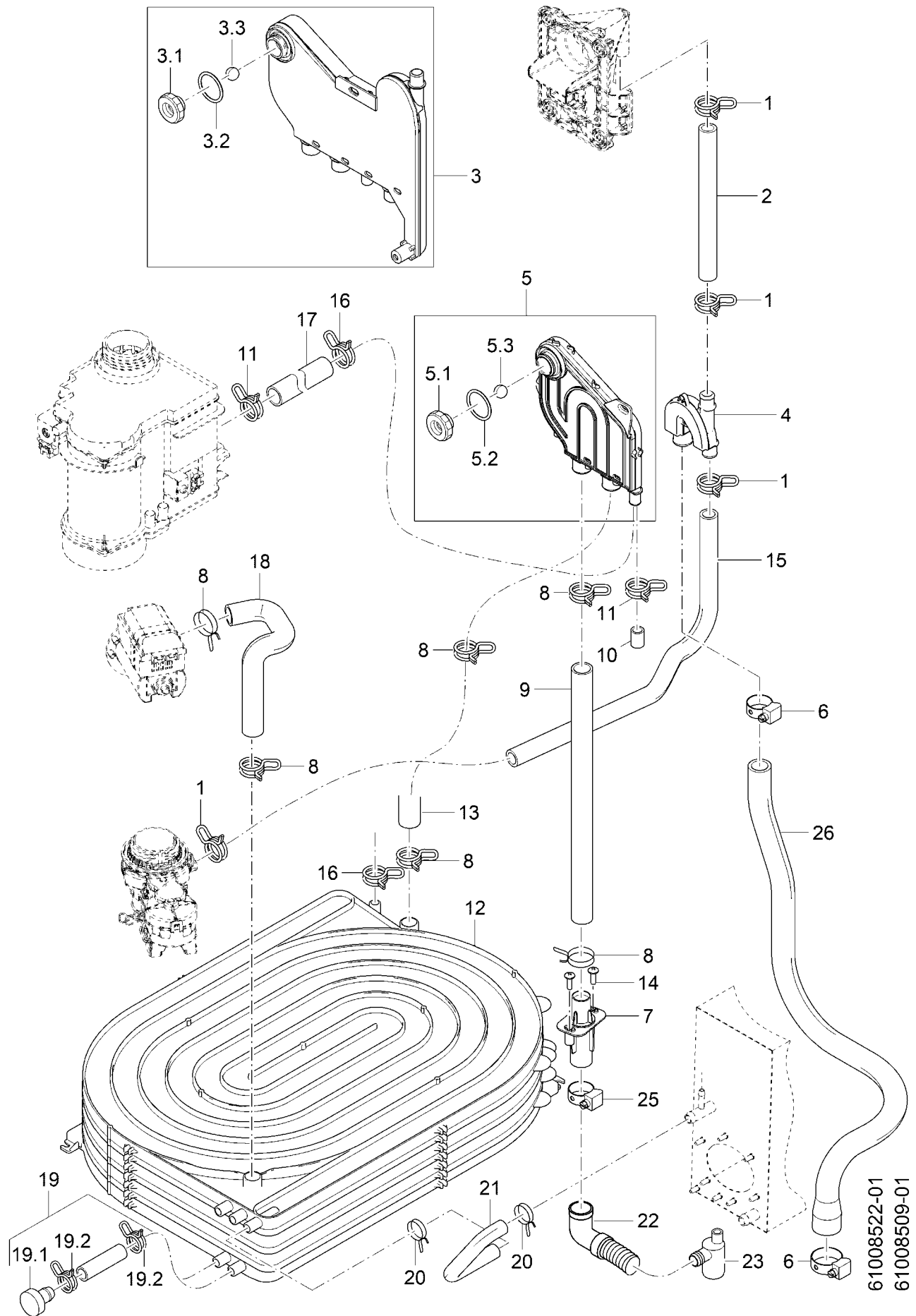


61010390-00
 61010389-00
 70016782-00

Rinse pump

Pos.	Part No.	Description; Dimensions	Quantity; Unit up to ...	from ...	Remarks
1	3102561	PUMP 0,20KW 2/1; 1/1 200-240V/1/50-60HZ	1 Pc		replaced by 30012255
1.1	4004023	CORD D=78 X 3; SHOR 50-55;	1 Pc		
1.2	3102467	Sliding ring gasket FÜR UP60	1 Pc		
1.3	3102466	PUMP IMPELLER WITH COUNTER RING UP60/UP30 - 50HZ	1 Pc		
1.4	3102519	PUMP HOUSING D=80,5MM	1 Pc		
1.5	3101118	SCREW FOR PUMP HOUSING D4X35 PT	7 Pc		
1.6	30015494	Kit Capacitor 5 MIKRO F	1 Pc		
1.6.1	2303301	Spring washer B8	1 Pc		
1.6.2	2101305	HEXAGONAL NUT M8	1 Pc		
2	30012255	Pump 0,17/0,23 kW 2/2 - plug 5 200-240V/50-60HZ	1 Pc		
2.1	84000220	Repair kit	1 Pc		
2.1.1	84000217	O-ring D75 X 3	1 Pc		
2.2	84000213	Pump housing 55,5 X 92 X 92	1 Pc		
2.3	30015363	PT screw KB 50 X 25	8 Pc		
2.4	30015494	Kit Capacitor 5 MIKRO F	1 Pc		for Pump 0.16 kW
2.4	30012013	Kit Capacitor 6,3 YF 425V/CLASS B P2	1 Pc		for Pump 0.17 kW
2.4.1	2303301	Spring washer B8	1 Pc		
2.4.2	2101305	HEXAGONAL NUT M8	1 Pc		

Water circuit

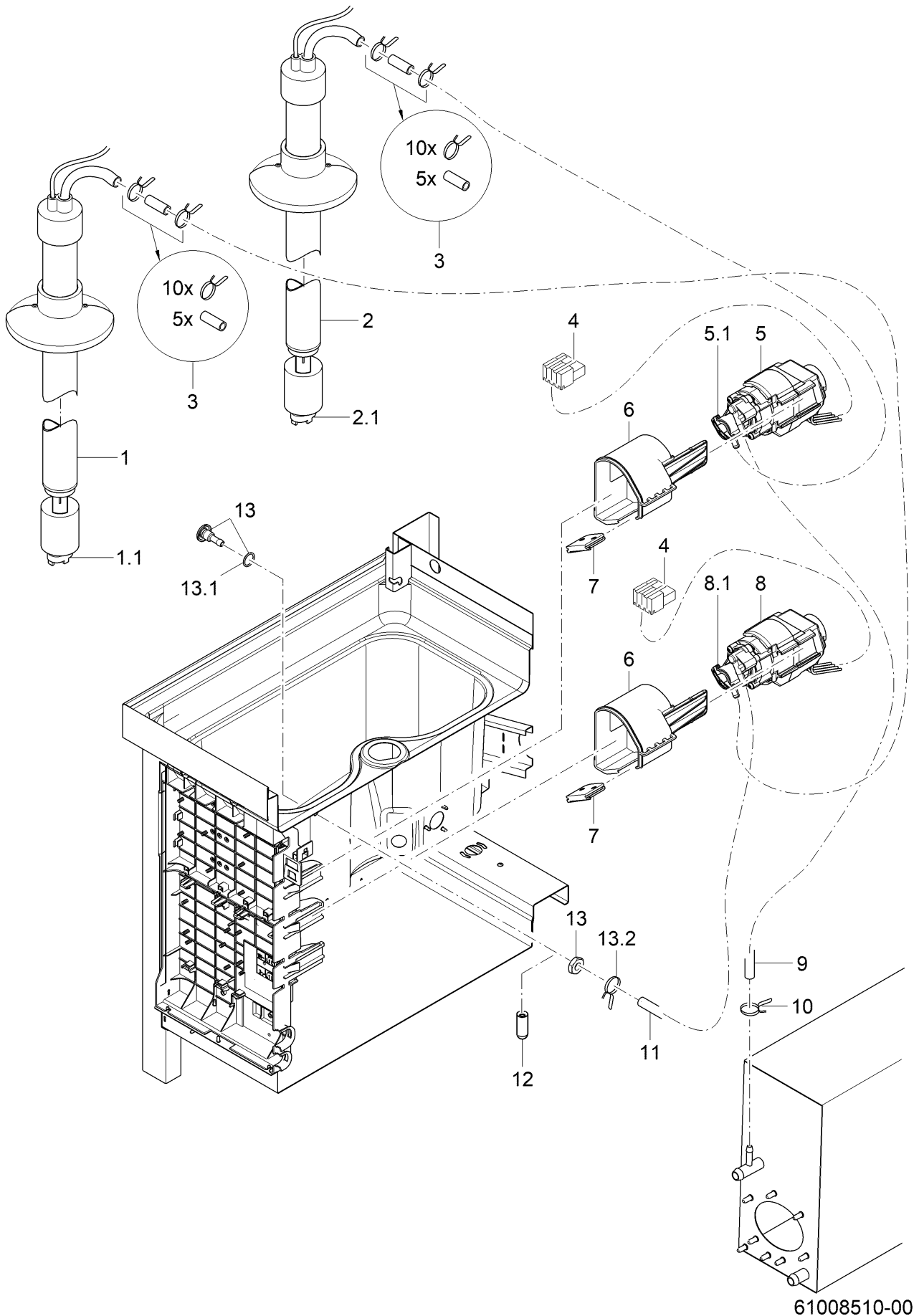


61008522-01
61008509-01

Water circuit

Pos.	Part No.	Description; Dimensions	Quantity; Unit up to ...	from ...	Remarks
1	2802355	WIRE HOSE CLAMP D21,2 X 2	4 Pc		
2	30017729	Kit moulded hose universal DN13,5	1 Pc		cut to size
3	30011441	Conversion rinse manifold	1 Pc	3025164	
3.1	61006936	Nut	1 Pc		
3.2	30012629	O-ring 30 X 3	1 Pc		
3.3	2801508	BALL D14	1 Pc		
4	61008987	Rinse manifold	1 Pc	3025165	
5	30011442	Kit deaeration	1 Pc	3025165	
5.1	61006936	Nut	1 Pc		
5.2	30012629	O-ring 30 X 3	1 Pc		
5.3	2801508	BALL D14	1 Pc		
6	30008124	Hose clamp D20-32 X 9	2 Pc		
7	61006923	Double nipple D23,57 X 86,75; D20	1 Pc		
8	2802358	WIRE HOSE CLAMP D24,2 X 2,2	1 Pc		
9	30017777	Kit moulded hose universal DN18xDN20	1 Pc		cut to size
10	60004630	LOCKING CAP DN10 X 2,0 X 19	1 Pc		
11	2802344	WIRE HOSE CLAMP D14,4 X 15,1	2 Pc		
12	61007092	Waste water heat exchanger	1 Pc		PT EnergyPlus
12	61007098	Waster water heat exchanger light	1 Pc		
13	30017777	Kit moulded hose universal DN18xDN20	1 Pc		cut to size
14	30000683	PT Screw KB 50 X 14	2 Pc		
15	30017729	Kit moulded hose universal DN13,5	1 Pc		cut to size
16	2802352	WIRE HOSE CLAMP D16,4 X 1,8	2 Pc		
17	30017798	Kit moulded hose universal DN10	1 Pc		cut to size
18	30011963	Moulded hose kit	1 Pc		
19	30014378	Drain hose kit	2 Pc		
19.1	70007962	Tube plug D24 X D13,1 X 27	1 Pc		
19.2	2802353	WIRE HOSE CLAMP D17,3 X 1,8	2 Pc		
20	2802353	WIRE HOSE CLAMP D17,3 X 1,8	2 Pc		
21	61007201	Moulded hose DN11 X 2,5; 221	1 Pc		PT-M
21	61006916	Moulded hose DN11 X 2,5; 191	1 Pc		PT-M EnergyPlus
22	60003738	DRAIN HOSE 1500 LG	1 Pc		
22	60003759	Drain hose 2000 LG	1 Pc		
22	60000396	Drain hose 2500 LG	1 Pc		
23	3501208	Drain angle 70 X 86	1 Pc		Option
25	30008124	Hose clamp D20-32 X 9	1 Pc		
26	61009011	Moulded hose DN18 X DN24 X 3,5; 802	1 Pc		

Dosage



61008510-00

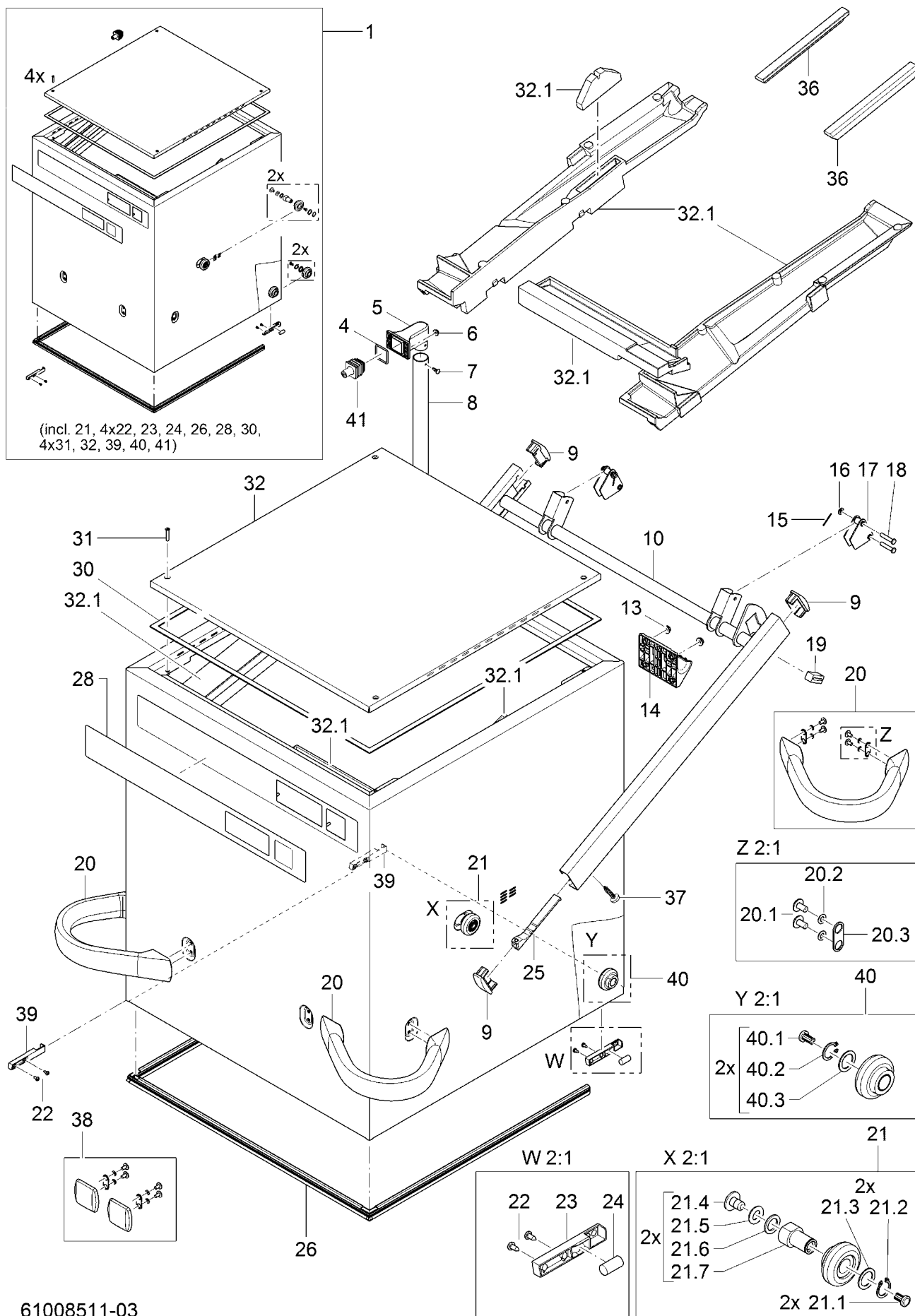
Dosage

Pos.	Part No.	Description; Dimensions	Quantity; Unit up to ...	from ...	Remarks
1	30000010	Kit suction tube 425mm for detergent	1 Pc		
1.1	30017960	Filter insert 30 mm	1 Pc		from 02/2020
2	30000011	Kit suction tube 425mm for rinse aid	1 Pc		
2.1	30017960	Filter insert 30 mm	1 Pc		from 02/2020
3	30000012	Kit connecting piece for chemical hose (5 pcs.)	1 Pc		
4	3112094	Macro-module plug5, 4-pole 250V; 10A; 2,5MM ²	1 Pc		
5	3102598	Rinse aid pump Fluidos DB 115-240V/50-60HZ	1 Pc		
5.1	3102600	Head Fluidos DB "Rinse Aid"	1 Pc		
6	61007231	Housing	1 Pc		
7	61007232	Hose nozzle	1 Pc		
8	3102597	Detergent pump Fluidos DT 115-240V/50-60HZ	1 Pc		
8.1	3102599	Head Fluidos DT "Detergent"	1 Pc		
9	4001027	HOSE BLUE DN5 X 1,5	32 cm		
10	2802348	Wire hose clamp D8,6 X 1	1 Pc		
11	4001024	Hose DN5 X 1,5	50 cm		
12	3506180	End cap D5,7 X 25,4	1 Pc		
13	61005883	DOSING NIPPLE SET M10 X 29; SW5	1 Pc		
13.1	30000723	O-ring 10 X 2,5	1 Pc		
13.2	2802348	Wire hose clamp D8,6 X 1	1 Pc		

Hood

Pos.	Part No.	Description; Dimensions	Quantity; Unit up to ...	from ...	Remarks
1	30002188	Set hood (PT-M)	1 Pc	3000070	up to serial no. 3000069 (June 2013) contact with factory necessary
4	61007074	Gasket	1 Pc		
5	61007049	Cable pipe	1 Pc		
6	2101310	Ratchet nut M5	2 Pc		
7	2509322	Pin D3,9 X 14,0 X 9,0	1 Pc		
8	30011313	Kit pipe buscable PT	1 Pc		
9	61004866	Plug 21 X 26 X 55	4 Pc		
10	61007350	Hood lever (M)	1 Pc		
13	2101311	RATCHET NUT M6	8 Pc		
14	61010128	Hood lever bearing 37,33 X 92 X 94,25	2 Pc		
15	30001696	Splint pin 1,6 X 20	4 Pc		
16	2201302	WASHER D6,4 X D12,5 X 1,6	4 Pc		
17	61007692	Bracket with bearing	2 Pc		
18	30001903	Bolt	4 Pc		
19	61005730	Buffer 14 X 15 X 31	2 Pc		
20	30002180	Kit handle	2 Pc		
20.1	30002092	Lens head screw with Tuflok M5 X 10; TORX 25	4 Pc		
20.2	30002085	O-ring 5 X 2	4 Pc		
20.3	61008062	Fixing plate 1,2 X 12 X 30	2 Pc		
21	30002183	Roller kit	1 Pc		for both sides
21.1	61007046	Sliding pin D10 X 12,3; D6,3	2 Pc		
21.2	30001996	Locking ring D14	2 Pc		
21.3	60003487	WASHER D14,10 X D20 X 1,0	2 Pc		
21.4	30001785	Lens head screw with flange and Tuflok M8 X 12; TORX 40	2 Pc		
21.5	2904267	O-ring 8 X 2	2 Pc		
21.6	61007960	Washer 1,5 X 12 X 18	2 Pc		
21.7	61007176	Bush D14 X 31,4; D19,8	2 Pc		
22	2020307	PLATE SCREW ST 3,9 X 9,5	4 Pc		
23	61007079	Magnet holder 10,5 X 12,4 X 82,2	1 Pc		
24	3124247	Magnet D10 X 20	1 Pc		
25	61009030	Locking brake 14,75 X 15 X 121	2 Pc		
26	61007084	Hood sealing	1 Pc		
28	61007381	Operating foil PT-M 550 X 68 MM	1 Pc		
30	30001091	Adhesive tape 9 X 2 X 10000	1 Roll		1 roll = 10m
31	30017863	Countersunk screw M4 X 25	4 Pc		
32	30014390	Kit Cover 547 X 580	1 Pc		
32.1	30014527	Kit shaped piece	1 Pc		
36	61007752	Shaped piece 215 MM	2 Pc		replaced by item 32
37	2010002	Raised head screw with internal hexagon M6 X 12	2 Pc		
38	30002147	Conversion hood handle	1 Pc		Installation instead of hood handle
39	61008549	Filler piece left	1 Pc		
40	30002704	Roller kit	1 Pc		for both sides
40.1	61007046	Sliding pin D10 X 12,3; D6,3	2 Pc		
40.2	30001996	Locking ring D14	2 Pc		

Hood



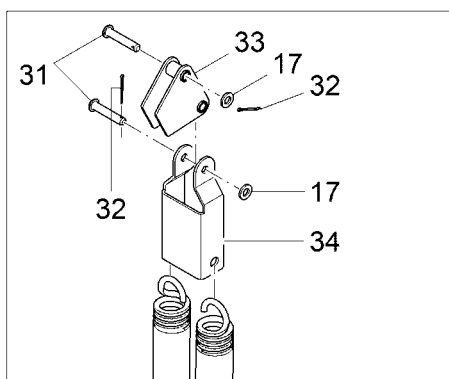
61008511-03

Hood

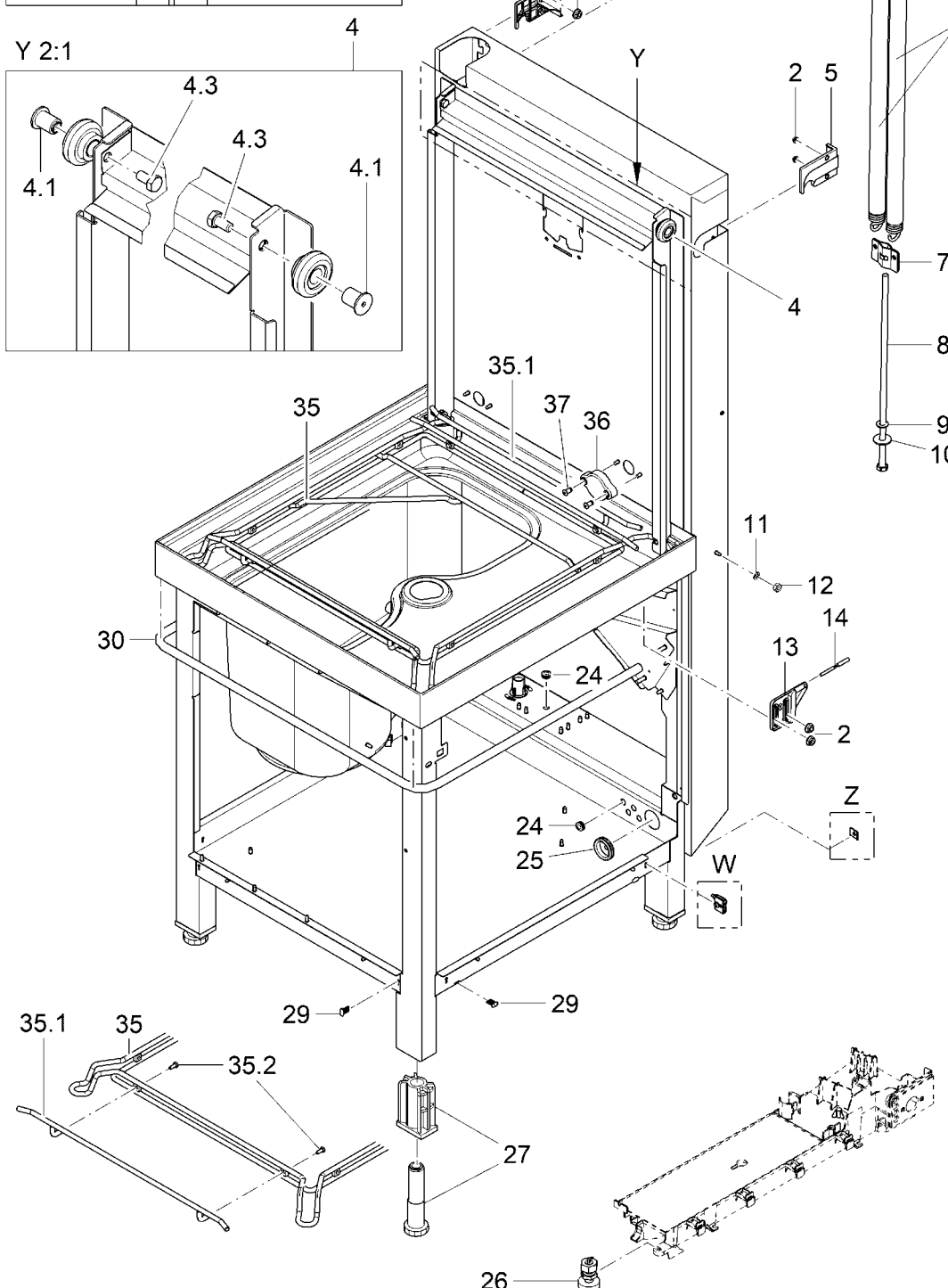
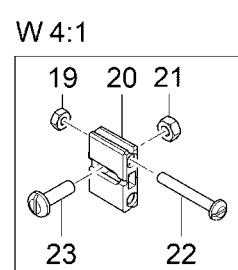
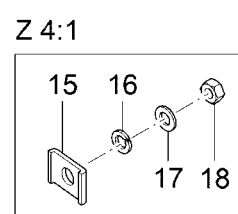
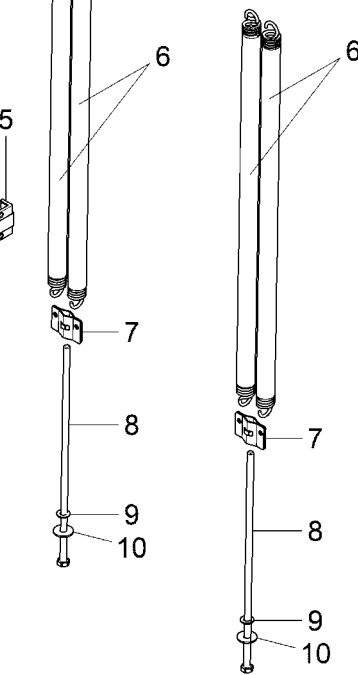
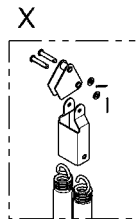
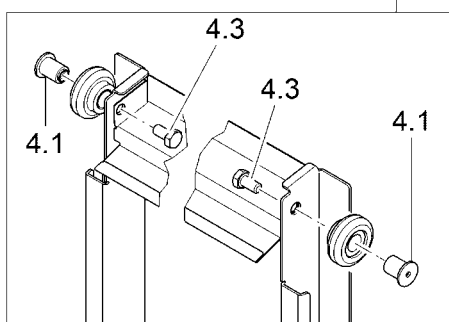
Pos.	Part No.	Description; Dimensions	Quantity; Unit up to ...	from ...	Remarks
40.3	60003487	WASHER D14,10 X D20 X 1,0	2 Pc		
41	61009356	Plug 26 X 26 X 45	1 Pc	3051377	

Chassis, container

X 2:1



Y 2:1

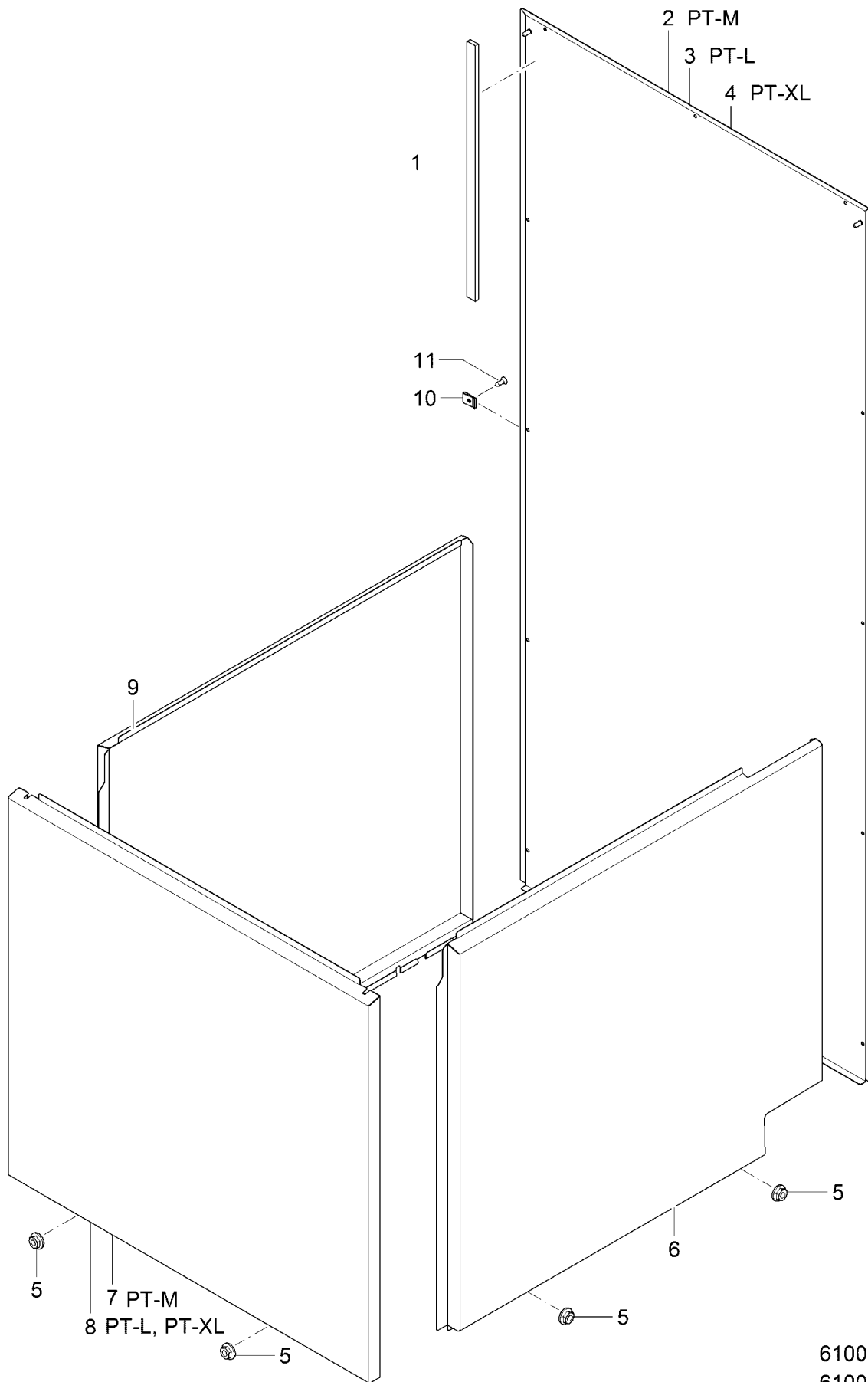


61008524-01
61008512-01

Chassis, container

Pos.	Part No.	Description; Dimensions	Quantity; Unit up to ...	from ...	Remarks
1	61007047	Filler piece left	1 Pc		
2	2101310	Ratchet nut M5	1 Pc		
3	30002575	Kit spacing piece	1 Pc		
4	30002182	Roller kit	1 Pc		for both sides
4.1	61006755	Bush D14 X 20,6; D20; SW4,02	2 Pc		
4.3	30002756	Hexagon screw M8 X 14;	2 Pc		
5	61007048	Filling piece right	1 Pc		
6	30002181	Kit Tension spring	2 Pc		
7	61007096	Spring connector	2 Pc		
8	61007105	Hexagon screw M10 X 390	2 Pc		
9	2202304	WASHER D10,5 X D30 X 2,5	2 Pc		
10	30001605	Washer	2 Pc		
11	2303302	SPRING WASHER B5	1 Pc		
12	2101203	Hexagonal nut M5	1 Pc		
13	61007080	Bracket 8,4 X 63,3 X 80,6	1 Pc		
14	30000364	KIT MAGNET SWITCH 25,5 X D5,8	1 Pc		
15	60005688	CLAMP STRAP 3,15 X 14 X 19,7	1 Pc		
16	2303300	SPRING WASHER B6	1 Pc		
17	2201302	WASHER D6,4 X D12,5 X 1,6	1 Pc		
18	2101304	HEXAGONAL NUT M6	1 Pc		
19	2101302	Hexagonal nut M4	4 Pc		
20	61007237	Support 7,8 X 27,8 X 20 (21,5)	4 Pc		
21	2101303	Hexagonal nut M5	4 Pc		
22	2010316	Pan head screw M4 X 30	4 Pc		
23	2010224	Pan head screw M5 X 16	4 Pc		
24	61004890	HOSE NOZZLE 6,25 X D15; D8,5	5 Pc		
25	61006960	Cable sleeve D40 X 10	1 Pc		
26	30000876	Leak sensor 180VDC; 0,7A; 10VA; IP67	1 Pc		
27	61008117	Adjustable foot with threaded insert	4 Pc		
29	61007040	Plug 7,5 X 14,15 X 18	8 Pc		
30	4004016	PROFILE SEAL D25	189 cm		
31	30001903	Bolt	4 Pc		
32	30001696	Splint pin 1,6 X 20	4 Pc		
33	61007692	Bracket with bearing	2 Pc		
34	61007018	Spring connector 2,0 X 84,57 X 102,8	2 Pc		
35	61007213	Rack carrier	1 Pc		
35.1	61007212	Guide rail	2 Pc		
35.2	30012713	Hexagon screw with sliding coating M5 X 12; A70	4 Pc		
36	70012661	Cover 15,5 X 50 X 73,7	1 Pc	3067699	
37	30014054	sleeve nut D7 X D11 X 14,5	2 Pc	3067699	

Panelling

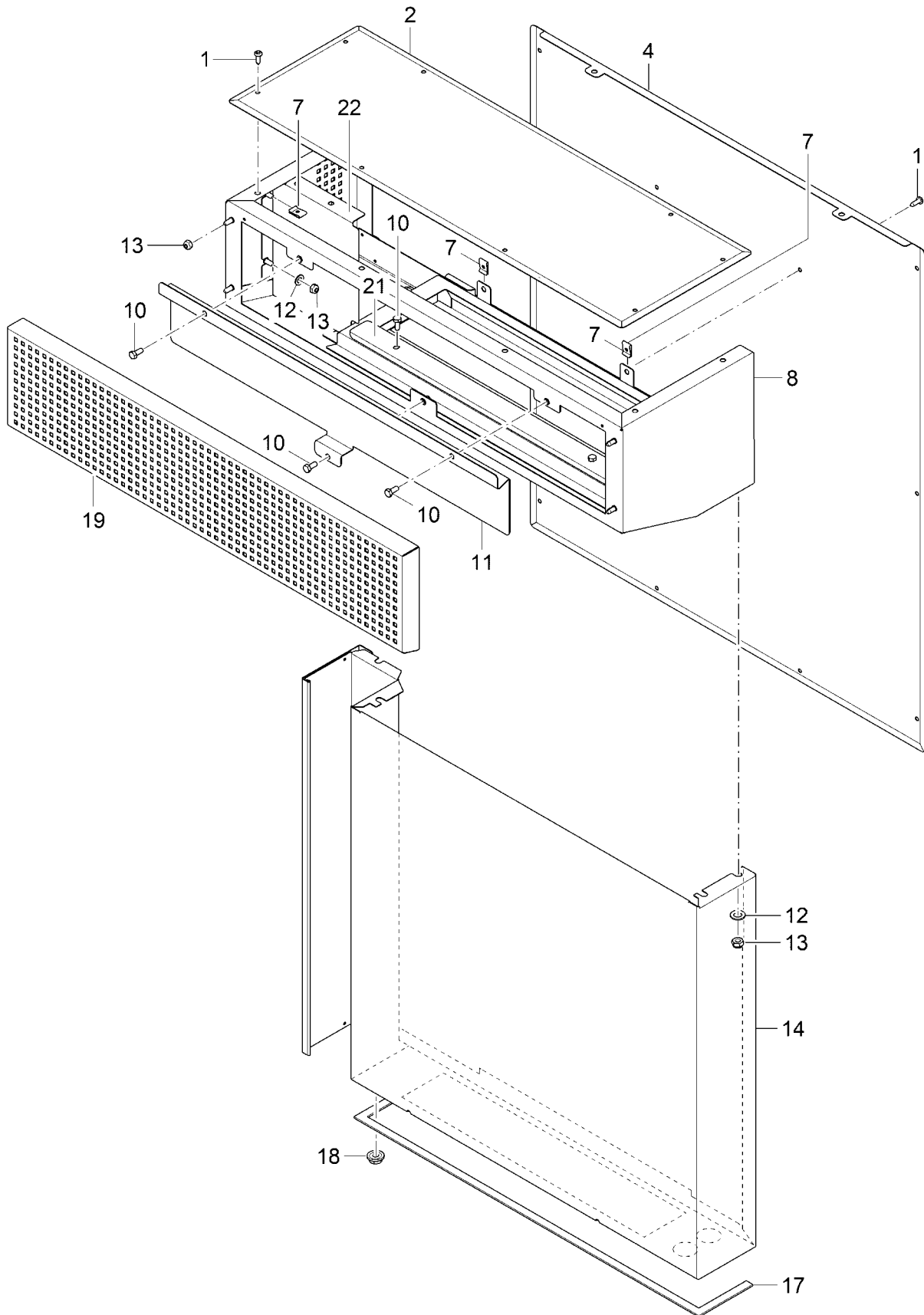


61008525-00
61008513-00

Panelling

Pos.	Part No.	Description; Dimensions	Quantity; Unit up to ...	from ...	Remarks
1	30001091	Adhesive tape 9 X 2 X 10000	1 Roll		1 roll = 10m
2	61007126	Back panel	1 Pc		
5	2101310	Ratchet nut M5	1 Pc		
6	61006797	Panel right 0,8 X 637,08 X 685,75	1 Pc		
7	30011385	Kit front panel	1 Pc		Kit contains standard wiring diagram. Wiring diagrams for special machines must be ordered separately (see item 100 - 104).
9	61006798	Panel left 0,8 X 637,08 X 685,75	1 Pc		
10	2117301	SHEET METAL NUT B 3,9	11 Pc		
11	30011208	Sheet metal screw ST 3,9 X 11	11 Pc		
100	30002325	Wiring diagram PT Cool 380 V - 415 V3N~	1 Pc		
101	30002326	Wiring diagram PT ship 400 V - 440 V3~	1 Pc		
102	30002327	Wiring diagram 50 A 230 V3~	1 Pc		
103	30002328	Wiring diagram WS 40/50 A 200 V - 240 V1N~	1 Pc		
140	30002652	Wiring diagram PT ClimatePlus 380 V - 415 V3N~, 50 Hz; 230 V3~, 50 Hz	1 Pc		

... 3063989

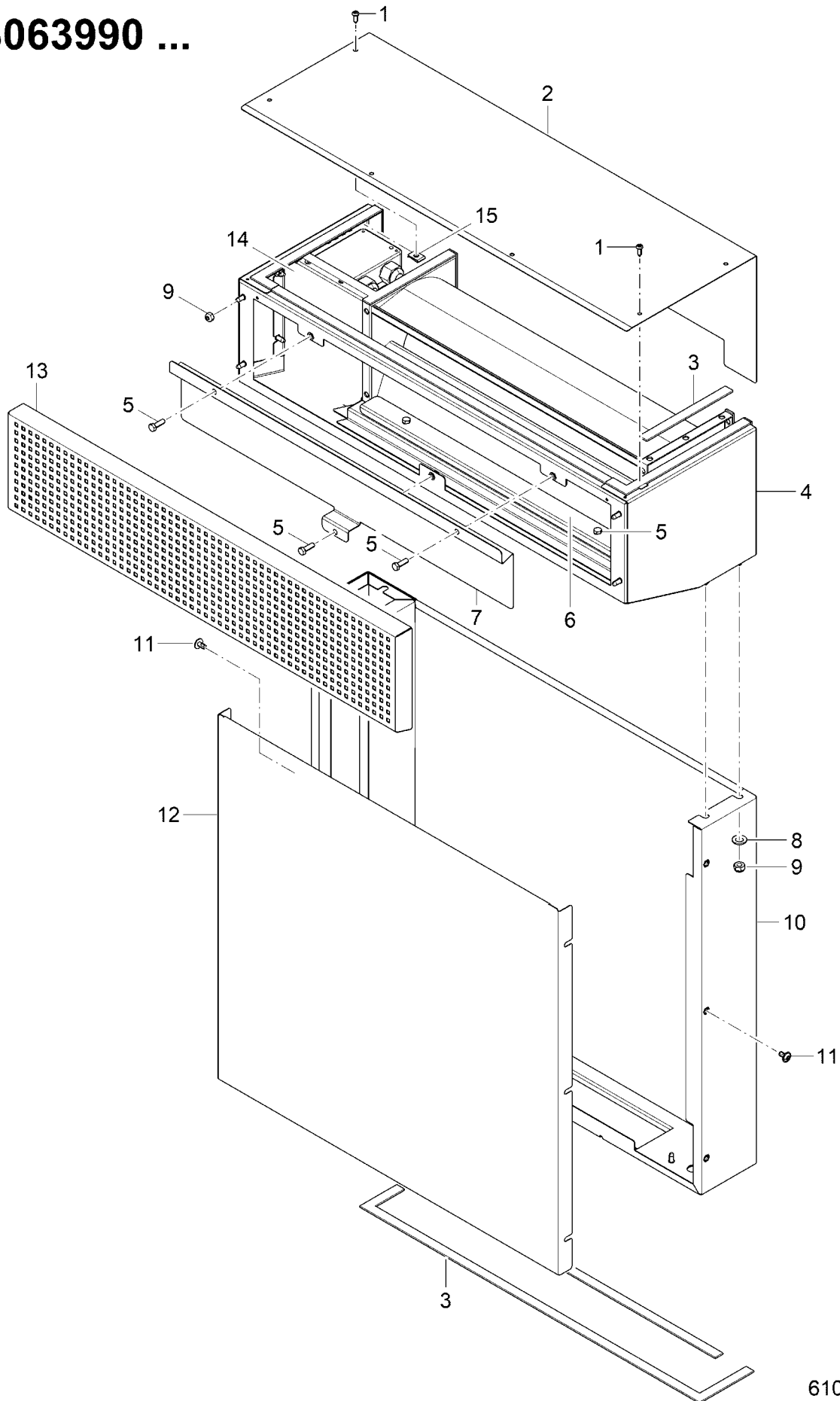


61008514-00

EnergyPlus (1)

Pos.	Part No.	Description; Dimensions	Quantity; Unit up to ...	from ...	Remarks
1	30011208	Sheet metal screw ST 3,9 X 11	1 Pc		
2	61008152	Top pannelling 0,8 X 202,06 X 606,06	1 Pc		
4	61008155	Rear wall panelling 0,8 X 606,06 X 690,58	1 Pc		
7	2117301	SHEET METAL NUT B 3,9	1 Pc		
8	61008092	Fan housing	1 Pc		
10	30012713	Hexagon screw with sliding coating M5 X 12; A70	1 Pc		
11	61008163	Air baffle 1,0 X 146,36 X 520	1 Pc		
12	2205301	WASHER D5,3 X D15 X 1,2	1 Pc		
13	2105302	HEXAGONAL NUT M5	1 Pc		
14	61007190	Frame	1 Pc		PT-M EnergyPlus
17	30001091	Adhesive tape 9 X 2 X 10000	1 Roll		1 roll = 10m
18	2101310	Ratchet nut M5	1 Pc		
19	61007191	Cover 1,0 X 189,24 X 687,5	1 Pc		PT-M EnergyPlus
21	61008158	Clamping plate 1,0 X 34,4 X 417	1 Pc		
22	61008096	Cover sheet	1 Pc		

3063990 ...

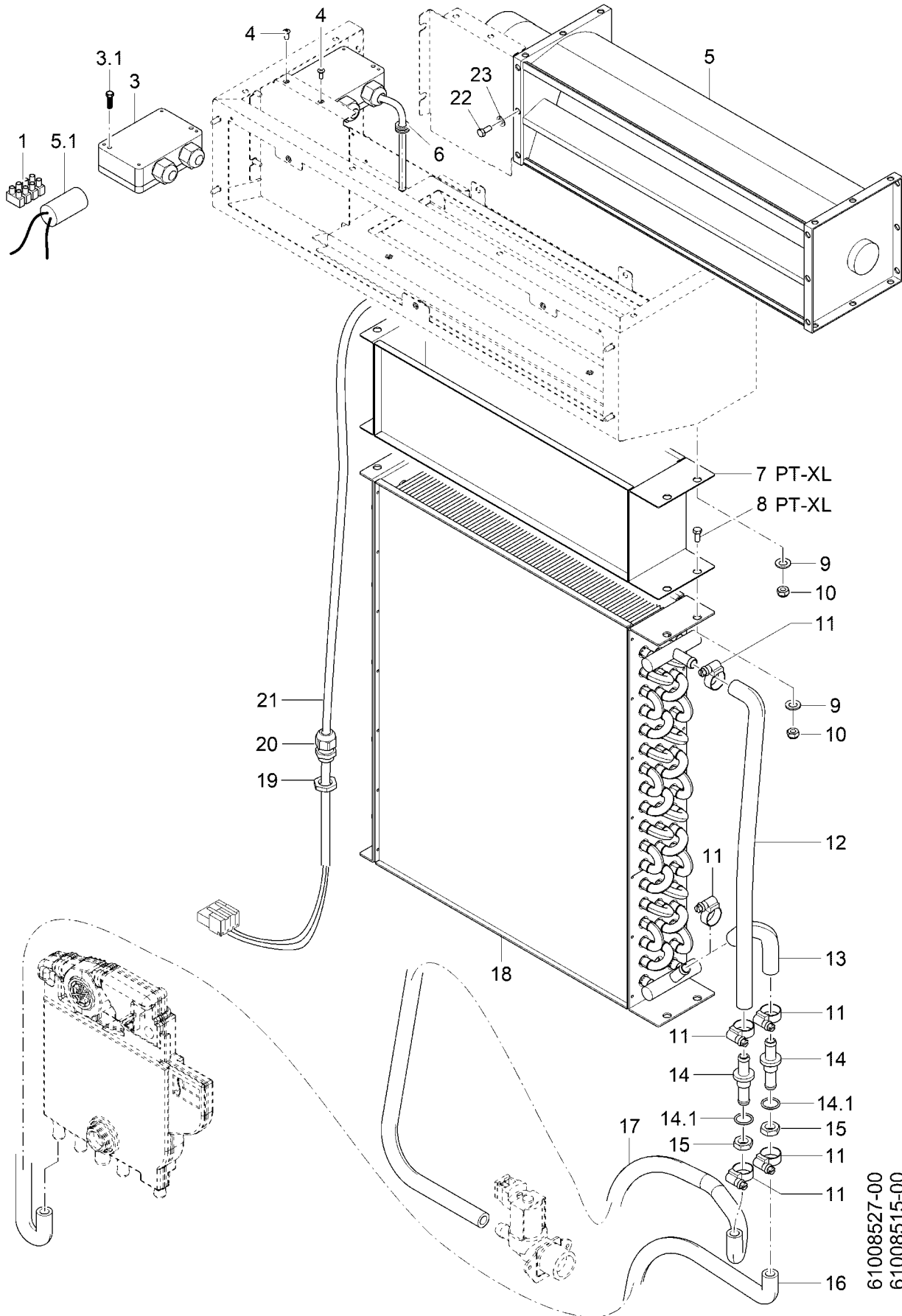


61010053-00

EnergyPlus (1)

Pos.	Part No.	Description; Dimensions	Quantity; Unit up to ...	from ...	Remarks
1	30011208	Sheet metal screw ST 3,9 X 11	6 Pc		
2	61009085	Top pannelling 0,8 X 375,78 X 606	1 Pc		
3	30001091	Adhesive tape 9 X 2 X 10000	1 Roll		1 roll = 10m
4	61009095	Fan housing	1 Pc		
5	2001309	Hexagon screw M5 X 16; A70	5 Pc		
6	61008158	Clamping plate 1,0 X 34,4 X 417	1 Pc		
7	61008163	Air baffle 1,0 X 146,36 X 520	1 Pc		
8	2205301	WASHER D5,3 X D15 X 1,2	1 Pc		
9	2105302	HEXAGONAL NUT M5	1 Pc		
10	61009083	Frame	1 Pc		
11	30002092	Lens head screw with Tuflok M5 X 10; TORX 25	6 Pc		
12	61009084	Cover, front 0,8 X 503,05 X 572,1	1 Pc		
13	61007191	Cover 1,0 X 189,24 X 687,5	1 Pc		
14	61008096	Cover sheet	1 Pc		
15	2117301	SHEET METAL NUT B 3,9	6 Pc		

EnergyPlus (2)

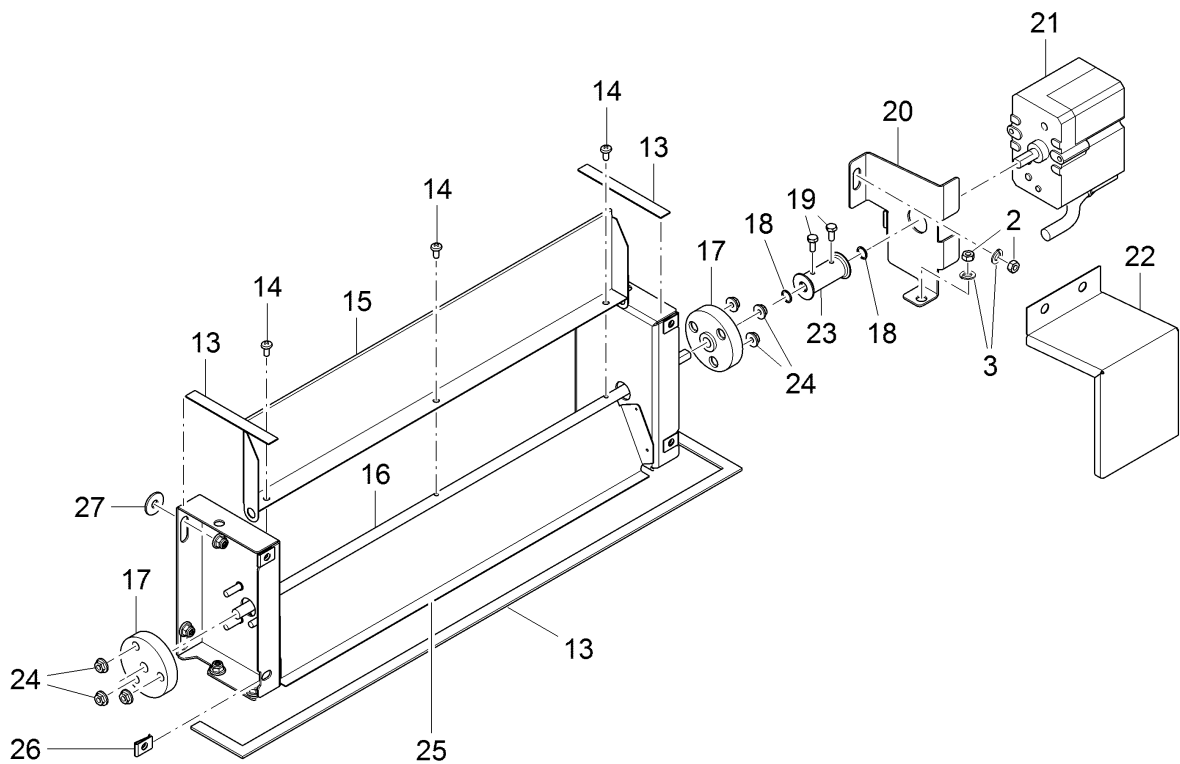
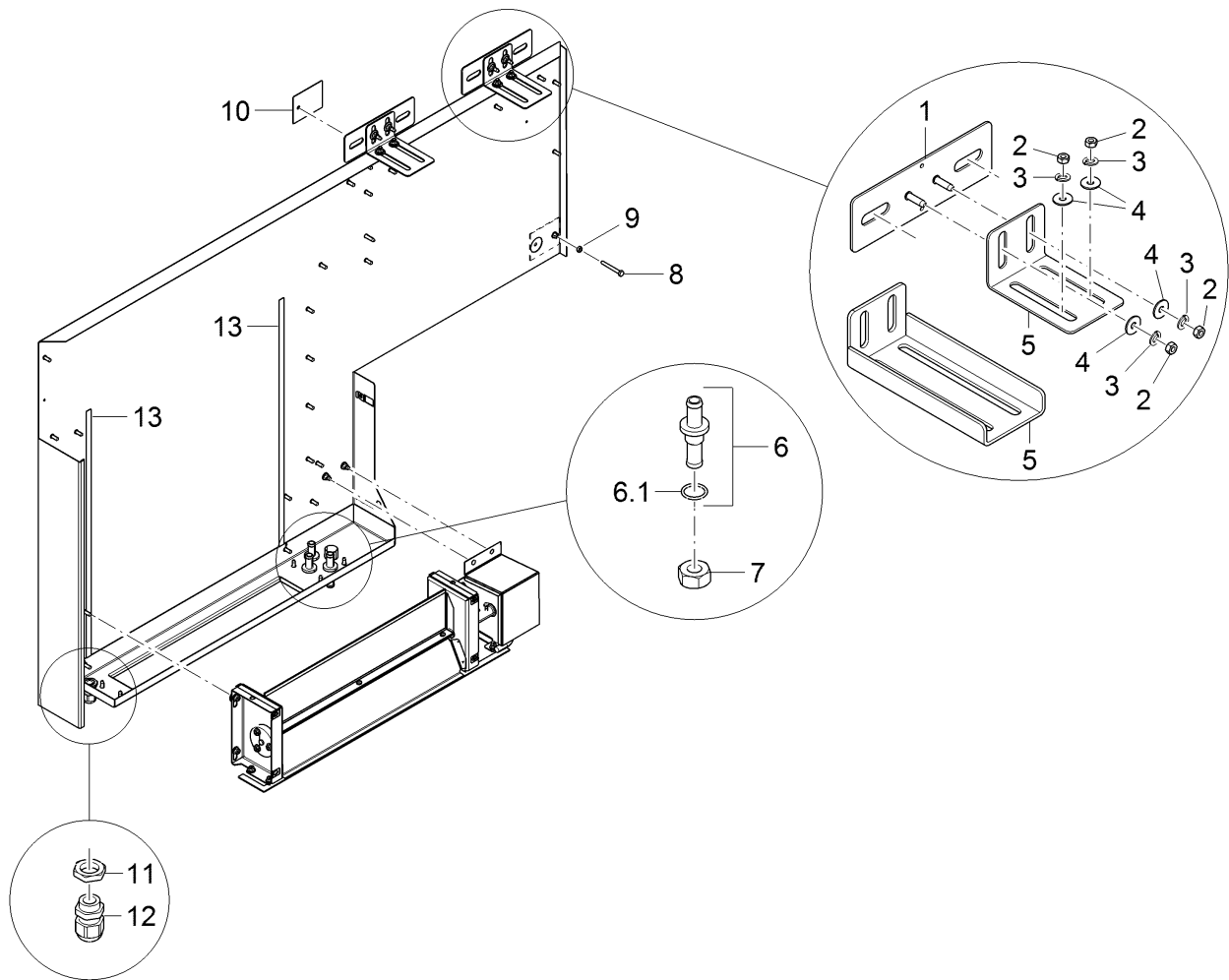


61008527-00
61008515-00

EnergyPlus (2)

Pos.	Part No.	Description; Dimensions	Quantity; Unit up to ...	from ...	Remarks
1	30001865	Binding post 4-POLIG; 0,5-2,5QMM; 30LG	1 Pc		
3	65007237	Kit aluminium housing with srew	1 Pc		
3.1	30013826	Lens head screw M4 X 16; TORX 20	2 Pc		
4	30017863	Countersunk screw M4 X 25	2 Pc		
5	30008936	Kit Cross flow fan	1 Pc		
5.1	30002324	Capacitor 3MF/+5% / 400V AC DB-A 50HZ	1 Pc		
6	61004890	HOSE NOZZLE 6,25 X D15; D8,5	1 Pc		
9	2205301	WASHER D5,3 X D15 X 1,2	1 Pc		
10	2105302	HEXAGONAL NUT M5	1 Pc		
11	30000711	Hose clamp D12-22 X 9	4 Pc		
12	30017798	Kit moulded hose universal DN10	1 Pc		cut to size
13	30017798	Kit moulded hose universal DN10	1 Pc		cut to size
14	30002574	Double nipple kit	1 Pc		
14.1	2707059	O-ring 16 X 2	1 Pc		
15	30001866	Hexagonal nut M14 X 1,5	1 Pc		
16	30017798	Kit moulded hose universal DN10	1 Pc		cut to size
17	30017798	Kit moulded hose universal DN10	1 Pc		cut to size
18	30011575	Heat exchanger 85 X 447 X 495	1 Pc		
18	30011574	Heat exchanger 85 X 447 X 495	1 Pc		Stainless steel
19	3110161	Hexagonal nut M16 X 1,5 X 5,0; SW22	1 Pc		
20	3110151	Cable gland M16 X 1,5;5-10MM;IP68	1 Pc		
21	61008493	Cable vapour fan	1 Pc		
22	2001309	Hexagon screw M5 X 16; A70	1 Pc		
23	2303302	SPRING WASHER B5	1 Pc		

Rear panel + air vent

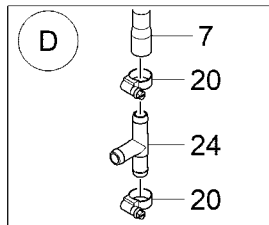
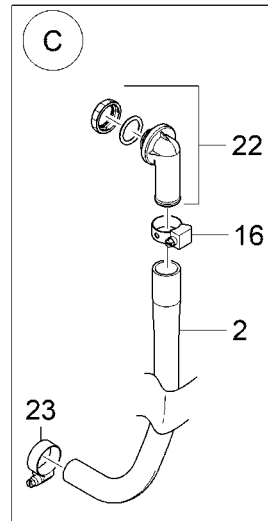
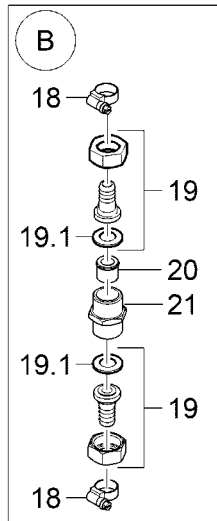
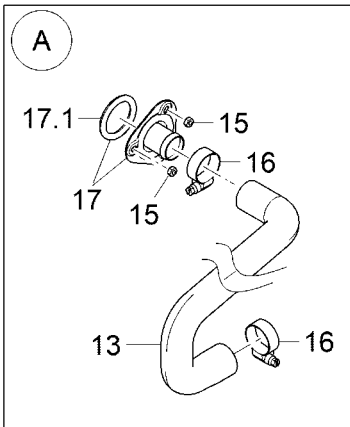
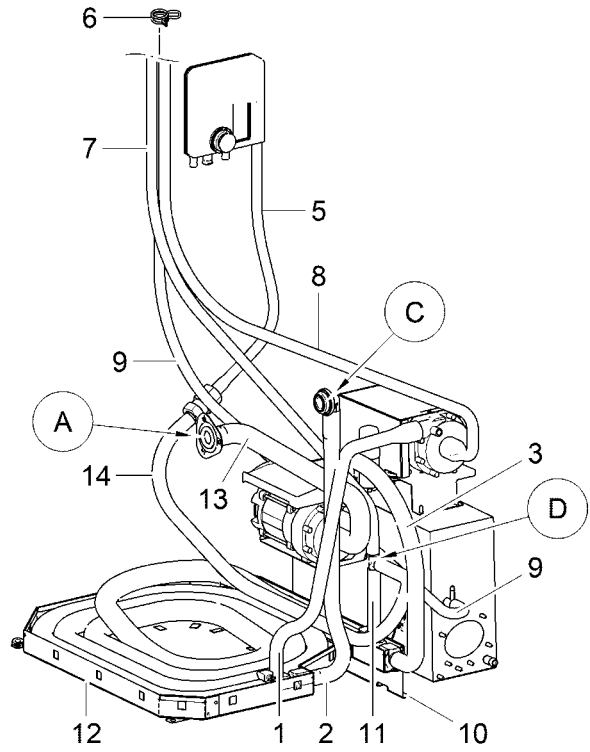
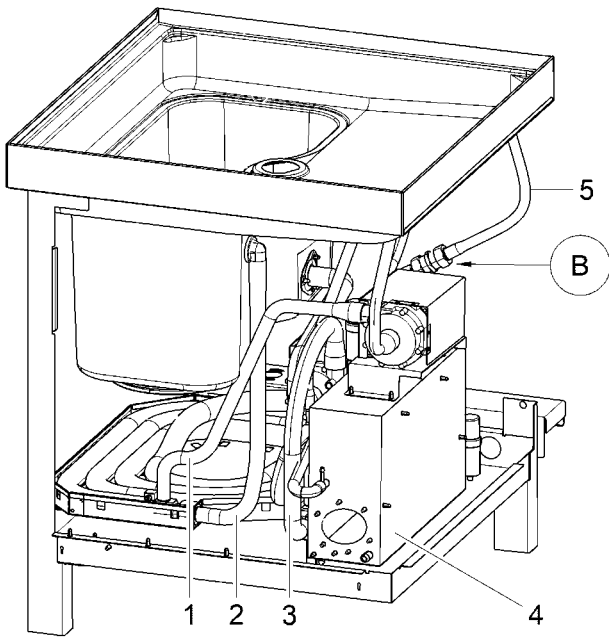


61009238-00

Rear panel + air vent

Pos.	Part No.	Description; Dimensions	Quantity; Unit up to ...	from ...	Remarks
1	61008333	Fixing plate	2 Pc		
2	2101303	Hexagonal nut M5	8 Pc		
3	2303302	SPRING WASHER B5	8 Pc		
4	2205301	WASHER D5,3 X D15 X 1,2	8 Pc		
5	61008675	Elbow 3,0 X 94,4 X 194,2	2 Pc		
6	30002574	Double nipple kit	3 Pc		
6.1	2707059	O-ring 16 X 2	3 Pc		
7	30001866	Hexagonal nut M14 X 1,5	3 Pc		
8	2001305	Hexagon screw M5 X 45; A70	1 Pc		
9	2101203	Hexagonal nut M5	1 Pc		
10	61008383	Support plate 1,2 X 49,7 X 62,7	1 Pc		
11	3110161	Hexagonal nut M16 X 1,5 X 5,0; SW22	1 Pc		
12	3110151	Cable gland M16 X 1,5;5-10MM;IP68	1 Pc		
13	30001091	Adhesive tape 9 X 2 X 10000	1 Roll		1 roll = 10m
14	30011585	Lens head screw M4 X 8	3 Pc		
15	61008375	Flap 0,8 X 97,8 X 422,5	1 Pc		
16	61008285	Shaft D8 X 478,5	1 Pc		
17	61008286	Bearing D50 X D15 X 13	2 Pc		
18	2707048	O-ring 8 X 1,0	2 Pc		
19	2001316	Hexagon screw M4 X 12; A70	2 Pc		
20	61008379	Bracket 1,5 X 112,2 X 119,7	1 Pc		
21	30002159	Motor 230V/50HZ;STROMAUFNAHME 0,028A	1 Pc		
22	61008377	Baffle plate 0,8 X 94,5 X 202,1	1 Pc		
23	61008287	Clutch D21,5 X D9,8 X 40	1 Pc		
24	2101310	Ratchet nut M5	6 Pc		
25	61008374	Suction channel	1 Pc		
26	2117301	SHEET METAL NUT B 3,9	6 Pc		
27	2205302	Washer D6,4 X D18 X 1,6	2 Pc		

Intermediate circuit I

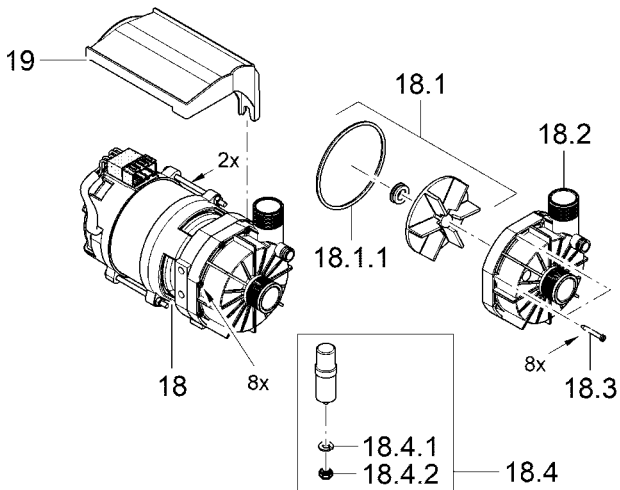
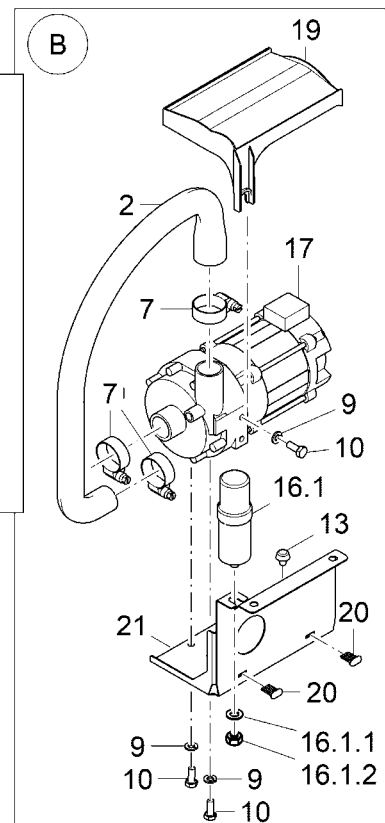
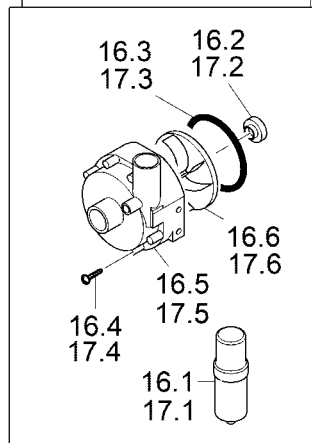
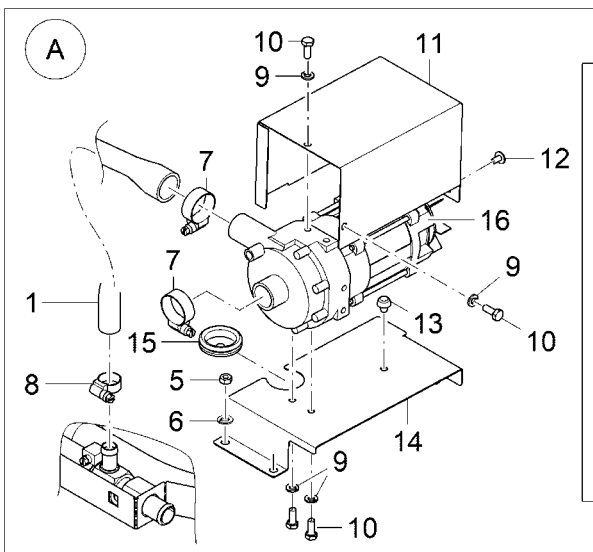
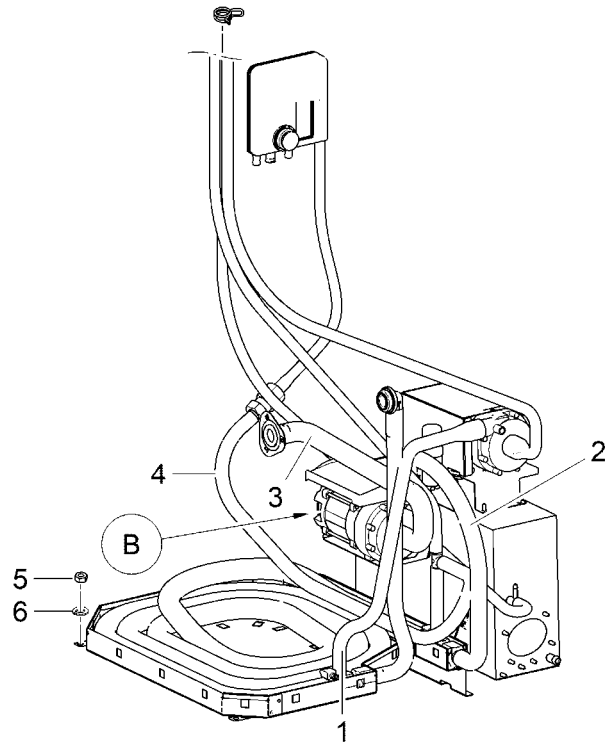
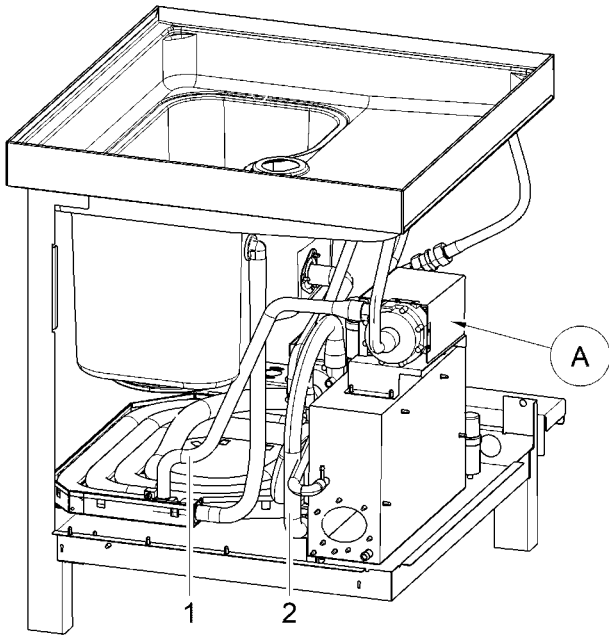


61009240-00

Intermediate circuit I

Pos.	Part No.	Description; Dimensions	Quantity; Unit up to ...	from ...	Remarks
1	61008192	Shaped hose DN13 X 3,5 X DN24 X 3,1; 512	1 Pc		
2	61008187	Shaped hose DN18 X DN21 X 2,5; 473	1 Pc		
3	61007515	Shaped hose DN18 X DN24 X 3,5; 502	1 Pc		
4	30002187	Set boiler	1 Pc		
5	30017775	Kit moulded hose universal DN10xDN13	1 Pc		cut to size
6	2802353	WIRE HOSE CLAMP D17,3 X 1,8	3 Pc		
7	30017775	Kit moulded hose universal DN10xDN13	1 Pc		cut to size
8	61008173	Shaped hose DN10 X DN26 X 3,5; 1674	1 Pc		
9	61008174	Shaped hose DN10 X DN11 X 3,0; 1794	1 Pc		
10	61008629	Z-profile 1,2 X 71,7 X 425	1 Pc		
11	4002035	Industrial hose DN13 X 3,5	11 cm		
12	30017047	Kit heat exchanger	1 Pc		
13	61008185	Shaped hose DN24 X DN26 X 3,0; 444	1 Pc		
14	30015379	Kit moulded hose universal DN12,5 DN 12,5	1 Pc		
15	2101203	Hexagonal nut M5	3 Pc		
16	30002612	Hose clamp 25 - 40MM / 12MM	8 Pc		
17	30012872	Kit Flange	1 Pc		
17.1	30014176	O-ring 34 X 6,0	1 Pc		
18	30000711	Hose clamp D12-22 X 9	6 Pc		
19	60002453	Hose coupling R 3/4" X 1/2"	2 Pc		
19.1	83001022	Gasket D16 X D24 X 3,0	1 Pc		
20	2901512	Check valve DW 20	1 Pc		
21	80002167	DOUBLE NIPPLE G 3/4" X 40; SW30	1 Pc		
22	70010803	Pipe nipple set	1 Pc		
23	30008124	Hose clamp D20-32 X 9	1 Pc		
24	70010598	Hose T-connecting piece D15 X D15 X D15	1 Pc		

Intermediate circuit II

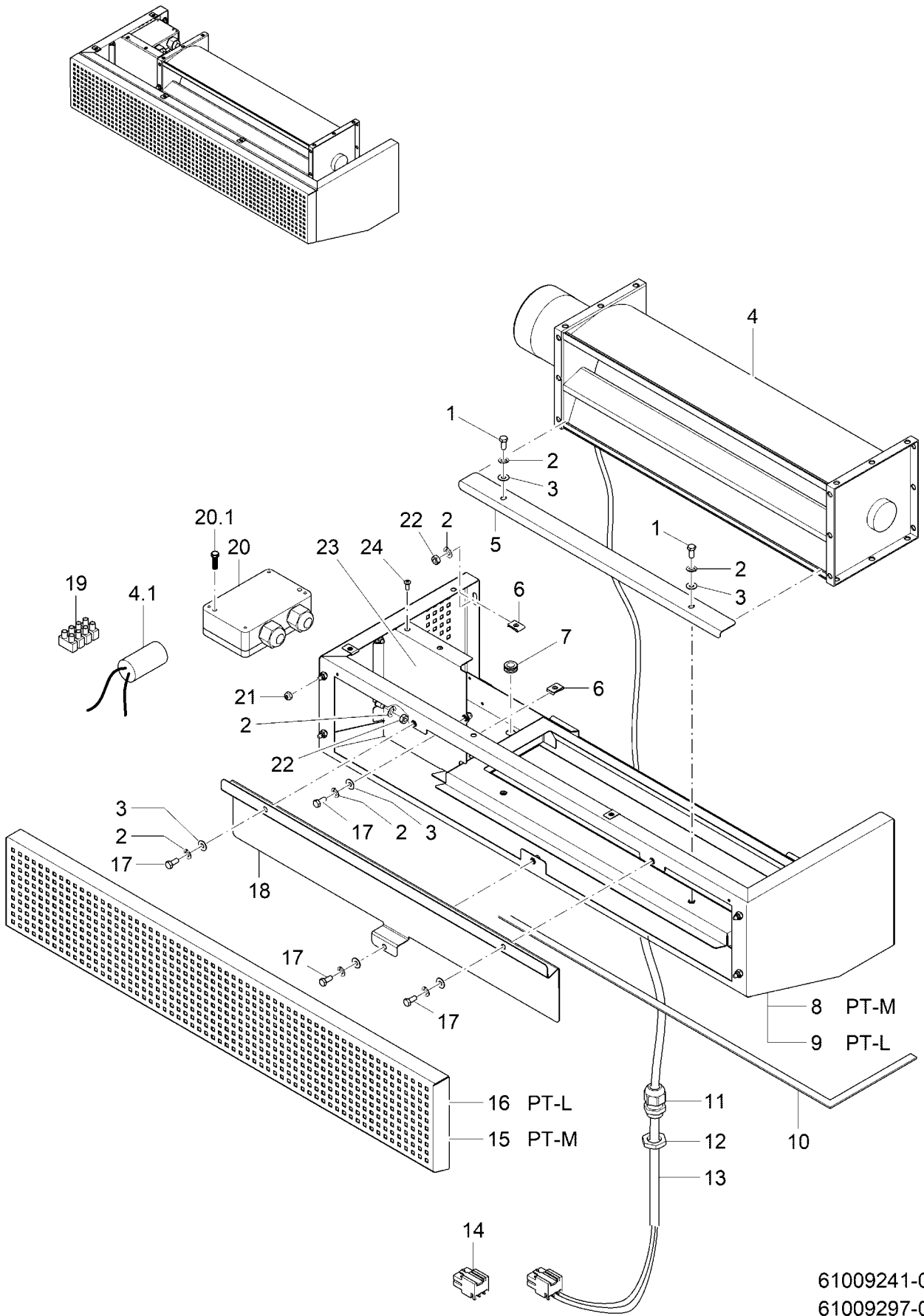


61010384-00

Intermediate circuit II

Pos.	Part No.	Description; Dimensions	Quantity; Unit up to ...	from ...	Remarks
1	61008192	Shaped hose DN13 X 3,5 X DN24 X 3,1; 512	1 Pc		
2	61007515	Shaped hose DN18 X DN24 X 3,5; 502	1 Pc		
3	61008185	Shaped hose DN24 X DN26 X 3,0; 444	1 Pc		
4	30015379	Kit moulded hose universal DN12,5 DN 12,5	1 Pc		
5	2101303	Hexagonal nut M5	5 Pc		
6	2303302	SPRING WASHER B5	5 Pc		
7	30002612	Hose clamp 25 - 40MM / 12MM	8 Pc		
8	30000711	Hose clamp D12-22 X 9	6 Pc		
9	2303300	SPRING WASHER B6	7 Pc		
10	2001306	Hexagon screw M6 X 16; A70	7 Pc		
11	61008627	Cover plate 0,8 X 288,4 X 290,5	1 Pc		
12	30002092	Lens head screw with Tuflok M5 X 10; TORX 25	1 Pc		
13	4006023	Buffer D8 X 14	2 Pc		
14	61008624	Pump bracket	1 Pc		
15	61006960	Cable sleeve D40 X 10	1 Pc		
16	61008622	Pump with fan	1 Pc		replaced by 30012255
16.1	30015494	Kit Capacitor 5 MIKRO F	1 Pc		
16.2	3102467	Sliding ring gasket FÜR UP60	1 Pc		
16.3	4004023	CORD D=78 X 3; SHOR 50-55;	1 Pc		
16.4	3101118	SCREW FOR PUMP HOUSING D4X35 PT	7 Pc		
16.5	3102519	PUMP HOUSING D=80,5MM	1 Pc		
16.6	3102466	PUMP IMPELLER WITH COUNTER RING UP60/UP30 - 50HZ	1 Pc		
17	3102561	PUMP 0,20KW 2/1; 1/1 200-240V/1/50-60HZ	1 Pc		replaced by 30012255
17.1	30015494	Kit Capacitor 5 MIKRO F	1 Pc		
17.2	3102467	Sliding ring gasket FÜR UP60	1 Pc		
17.3	4004023	CORD D=78 X 3; SHOR 50-55;	1 Pc		
17.4	3101118	SCREW FOR PUMP HOUSING D4X35 PT	7 Pc		
17.5	3102519	PUMP HOUSING D=80,5MM	1 Pc		
17.6	3102466	PUMP IMPELLER WITH COUNTER RING UP60/UP30 - 50HZ	1 Pc		
18	30012255	Pump 0,17/0,23 kW 2/2 - plug 5 200-240V/50-60HZ	1 Pc		
18.1	84000220	Repair kit	1 Pc		
18.1.1	84000217	O-ring D75 X 3	1 Pc		
18.2	84000213	Pump housing 55,5 X 92 X 92	1 Pc		
18.3	30015363	PT screw KB 50 X 25	8 Pc		
18.4	30015494	Kit Capacitor 5 MIKRO F	1 Pc		for Pump 0.16 kW
18.4	30012013	Kit Capacitor 6,3 YF 425V/CLASS B P2	1 Pc		for Pump 0.17 kW
18.4.1	2303301	Spring washer B8	1 Pc		
18.4.2	2101305	HEXAGONAL NUT M8	1 Pc		
19	61006966	Cover	1 Pc		
20	61007040	Plug 7,5 X 14,15 X 18	2 Pc		
21	61008397	Pump bracket 1,2 X 214,1 X 307,5	1 Pc		

Cross flow fan

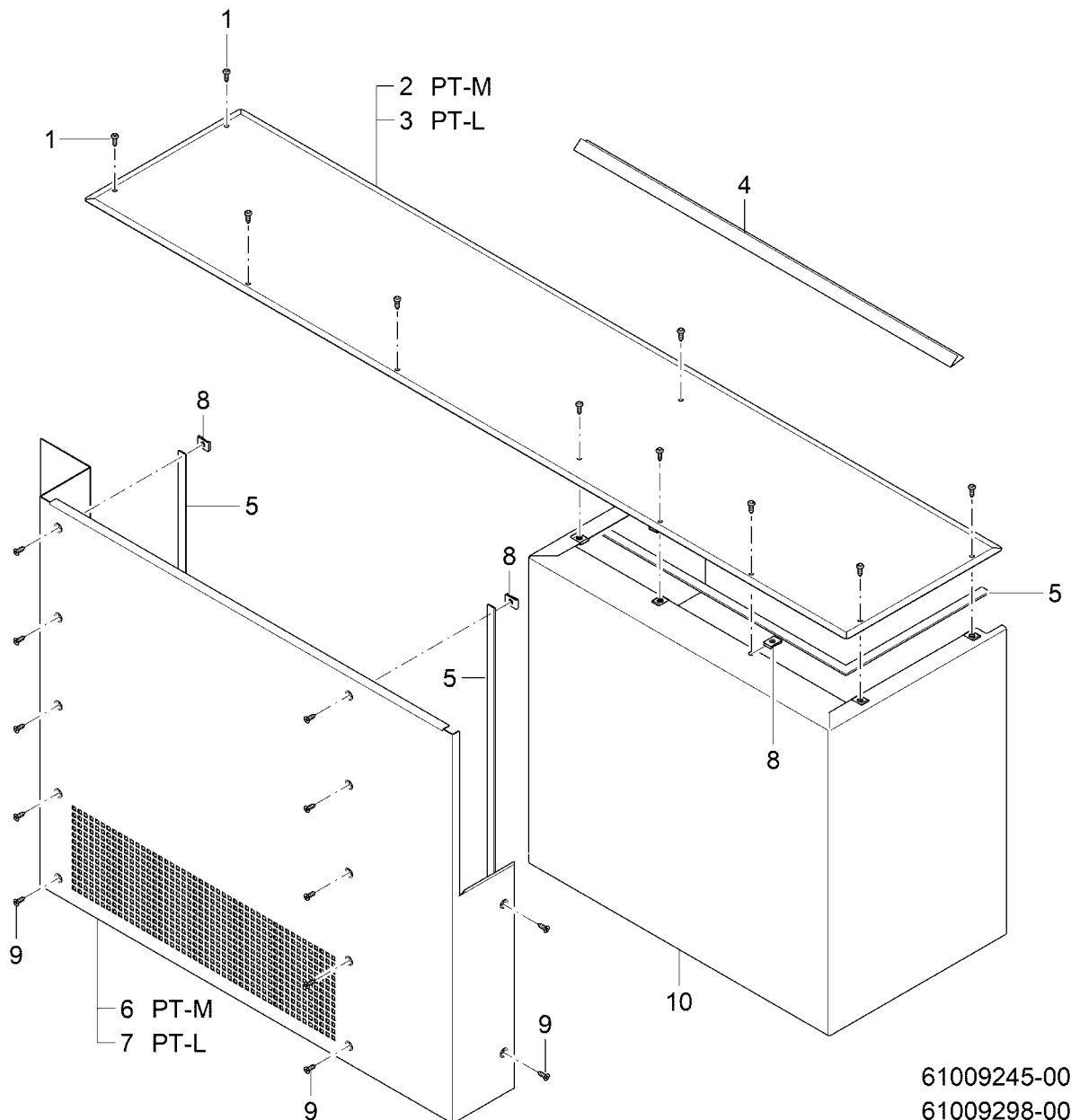
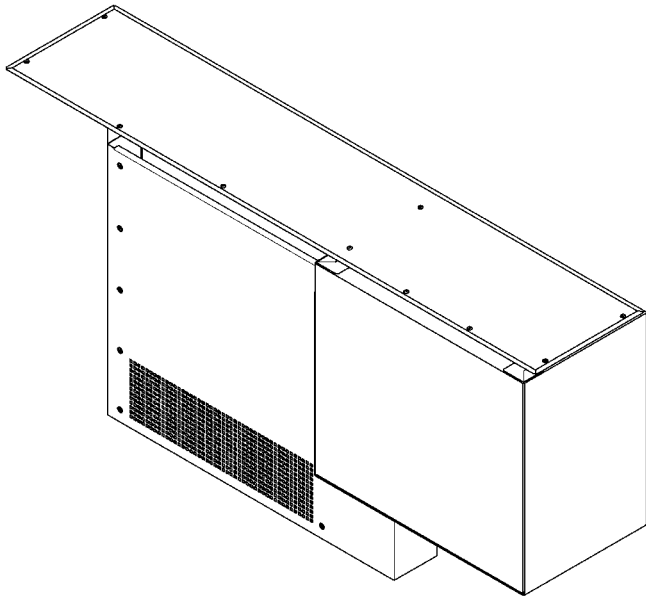


61009241-00
61009297-00

Cross flow fan

Pos.	Part No.	Description; Dimensions	Quantity; Unit up to ...	from ...	Remarks
1	2001309	Hexagon screw M5 X 16; A70	2 Pc		
2	2303302	SPRING WASHER B5	12 Pc		
3	2202313	Washer D5,3 X D12 X 0,8	6 Pc		
4	30008936	Kit Cross flow fan	1 Pc		
4.1	30002324	Capacitor 3MF/+5% / 400V AC DB-A 50HZ	1 Pc		
5	61008158	Clamping plate 1,0 X 34,4 X 417	1 Pc		
6	2117301	SHEET METAL NUT B 3,9	4 Pc		
7	61004890	HOSE NOZZLE 6,25 X D15; D8,5	1 Pc		
8	61009791	Fan housing	1 Pc		
10	30001091	Adhesive tape 9 X 2 X 10000	1 Roll		
11	3110151	Cable gland M16 X 1,5;5-10MM;IP68	1 Pc		
12	3110161	Hexagonal nut M16 X 1,5 X 5,0; SW22	1 Pc		
13	61008493	Cable vapour fan	1 Pc		
14	3112093	Macro-module plug5, 3-pole 250V; 10A; 2,5MM ²	1 Pc		
15	61008415	Panel 1,0 X 180 X 762,5	1 Pc		
17	2001309	Hexagon screw M5 X 16; A70	4 Pc		
18	61008163	Air baffle 1,0 X 146,36 X 520	1 Pc		
19	30001865	Binding post 4-POLIG; 0,5-2,5QMM; 30LG	1 Pc		
20	65007237	Kit aluminium housing with srew	1 Pc		
20.1	30013826	Lens head screw M4 X 16; TORX 20	2 Pc		
21	2105302	HEXAGONAL NUT M5	4 Pc		
22	2101303	Hexagonal nut M5	6 Pc		
23	61008096	Cover sheet	1 Pc		
24	30017863	Countersunk screw M4 X 25	2 Pc		

Panelling

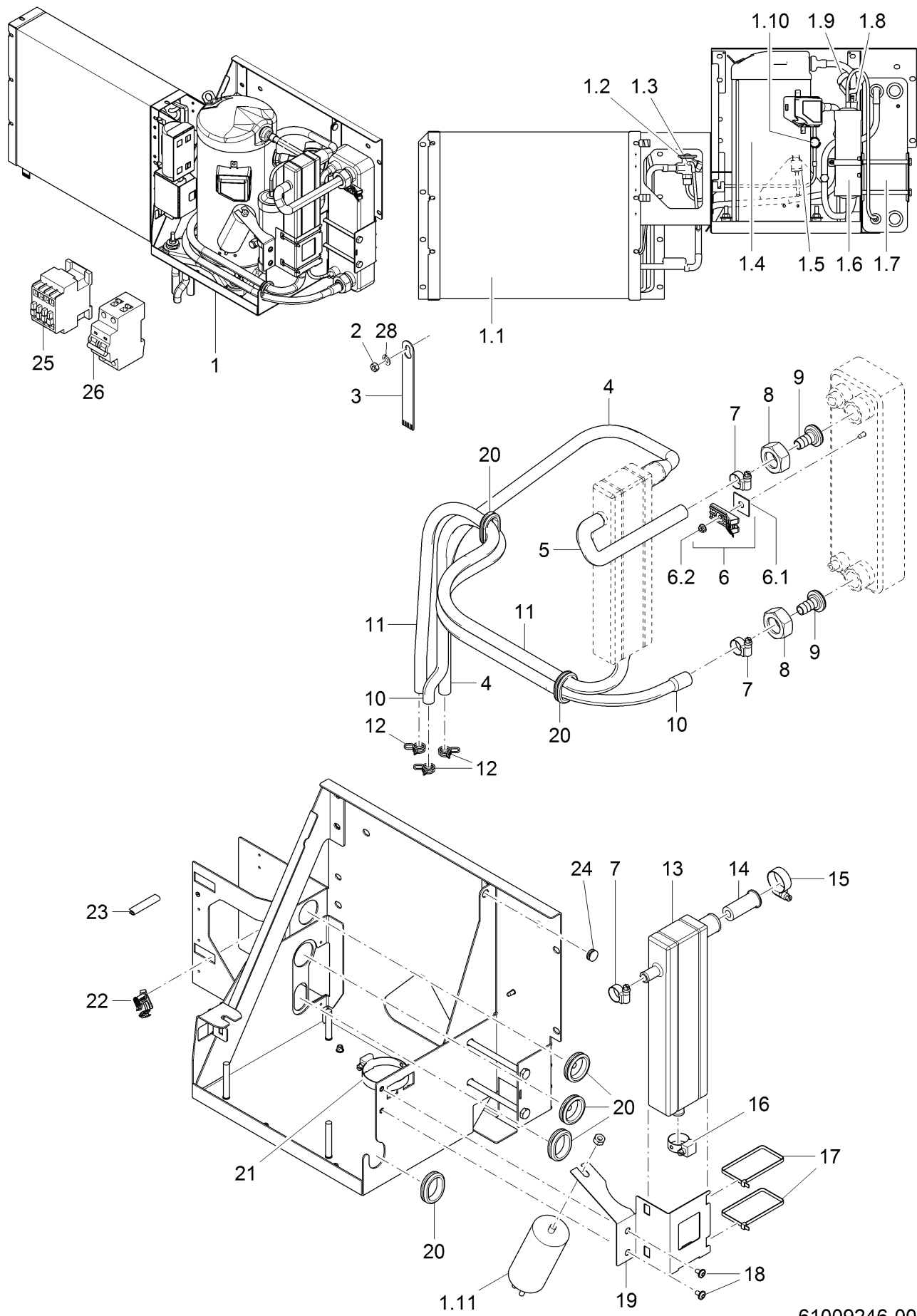


61009245-00
61009298-00

Panelling

Pos.	Part No.	Description; Dimensions	Quantity; Unit up to ...	from ...	Remarks
1	30011208	Sheet metal screw ST 3,9 X 11	10 Pc		
2	61008402	Top panelling 0,8 X 232,4 X 1126,1	1 Pc		
4	4803028	Rubber profile 9 X 1,5 X 25000	1 Roll		1 roll = 25m
5	30001091	Adhesive tape 9 X 2 X 10000	1 Roll		1 roll = 10m
6	61010090	Panel, left 0,8 X 515,36 X 846,2	1 Pc		
8	2117301	SHEET METAL NUT B 3,9	6 Pc		
9	2021302	Plate screw ST 3,9 X 13	12 Pc		
10	61007994	Panel right	1 Pc		

Heat pump

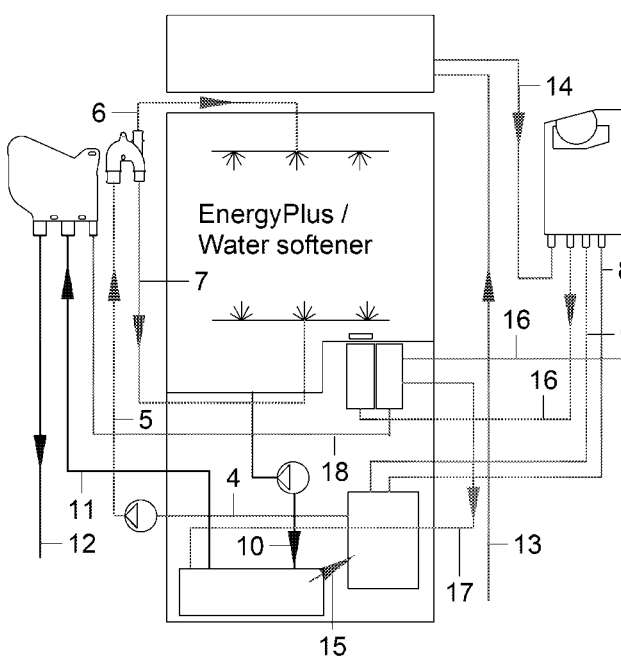
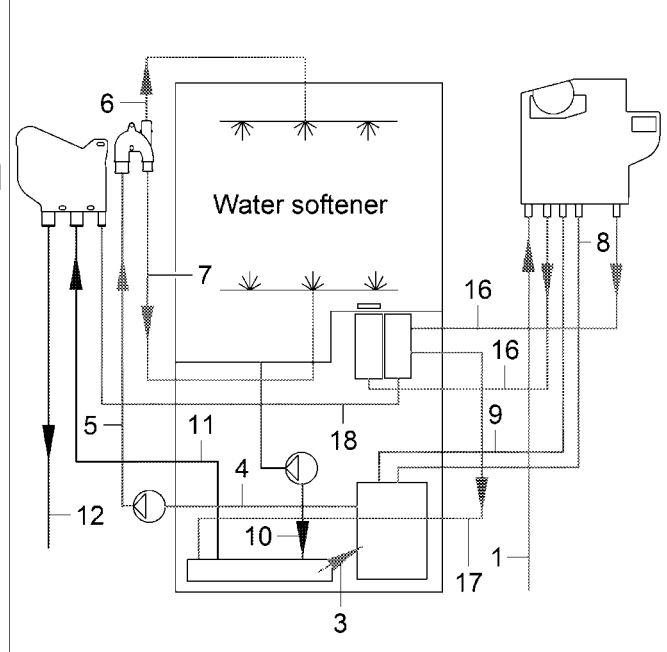
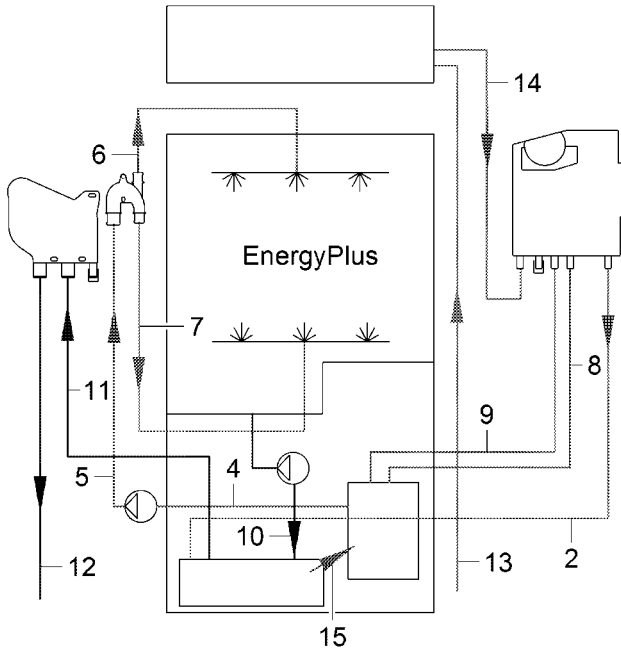
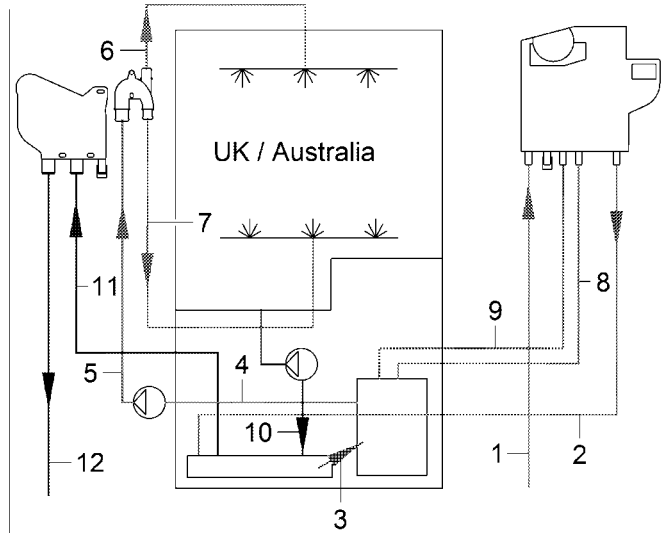
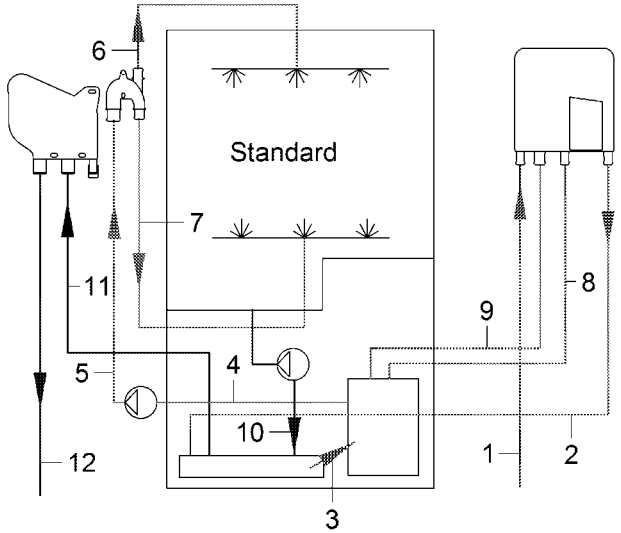


61009246-00

Heat pump

Pos.	Part No.	Description; Dimensions	Quantity; Unit up to ...	from ...	Remarks
1	30008114	Exchange heat pump PT ClimatePlus	380-415V, 1 Pc		
		3N~,50HZ / 230V,3~,50HZ			
1.1	30008157	Evaporator	1 Pc		
1.2	30008160	Expansion valve	1 Pc		
1.3	30008161	Orifice	1 Pc		
1.4	30008155	Compressor	1 Pc		
1.5	30008162	Low pressure switch	OFF 0.2 BAR; ON 1.0 BAR	1 Pc	
1.6	30008158	Drying filter	1 Pc		
1.7	30008156	Plate heat exchanger	1 Pc		
1.8	30008163	High pressure switch	OFF 27 BAR; ON 20 BAR	1 Pc	
1.9	30008164	Discharge temp. limiter	OFF 130°C; ON 97°C	1 Pc	
1.10	30008159	Sight glas	1 Pc		
1.11	30012020	Kit capacitor	1 Pc		
2	2101303	Hexagonal nut	M5	1 Pc	
3	3106221	COMB FOR RIBBED RADIATOR	1 Pc		
4	61008140	Shaped hose	DN10 X 3,0 X DN23 X 2,6; 936	1 Pc	
5	30017811	Kit moulded hose universal	DN13	1 Pc	cut to size
6	30002179	Kit thermo sensor	1 Pc		
6.1	82000121	Heat conducting foil with hole	0,27 X 32 X 60	1 Pc	
6.2	2101310	Ratchet nut	M5	1 Pc	
7	30000711	Hose clamp	D12-22 X 9	3 Pc	
8	30002331	Union nut	G 1" X 24	2 Pc	
9	30002332	Hose nozzle	G 1" X 13	2 Pc	
10	30017775	Kit moulded hose universal	DN10xDN13	1 Pc	cut to size
11	61008150	Shaped hose	DN10 X DN15 X 3,0; 991	1 Pc	
12	2802353	WIRE HOSE CLAMP	D17,3 X 1,8	3 Pc	
13	61008337	Intermediate container	1 Pc		
14	61008336	Pipe	D25 X 50	1 Pc	
15	30008124	Hose clamp	D20-32 X 9	1 Pc	
16	30002612	Hose clamp	25 - 40MM / 12MM	1 Pc	
17	3120171	Nylon clip	540 X 7,5; -40°/+85°C	2 Pc	
18	30002092	Lens head screw with Tuflok	M5 X 10; TORX 25	2 Pc	
19	61008406	Bracket	1,2 X 170,9 X 199,8	1 Pc	
20	61006960	Cable sleeve	D40 X 10	4 Pc	
21	30001243	Hose clamp	D50-70 x 12	1 Pc	
22	30001779	Cable clamp	22,9 X 15,9 X 64; M5	7 Pc	
23	4004015	Edge protection profile	U9,5 X 2,0	36 cm	
24	61004890	HOSE NOZZLE	6,25 X D15; D8,5	1 Pc	
25	30000861	Contacteur AF16	100-250V/50-60HZ AC/DC; 7, 5KW	1 Pc	
26	30002641	Circuit breaker	2-POLIG; 16A-K (1P+NA)	1 Pc	
28	2303302	SPRING WASHER	B5	1 Pc	

Hoses

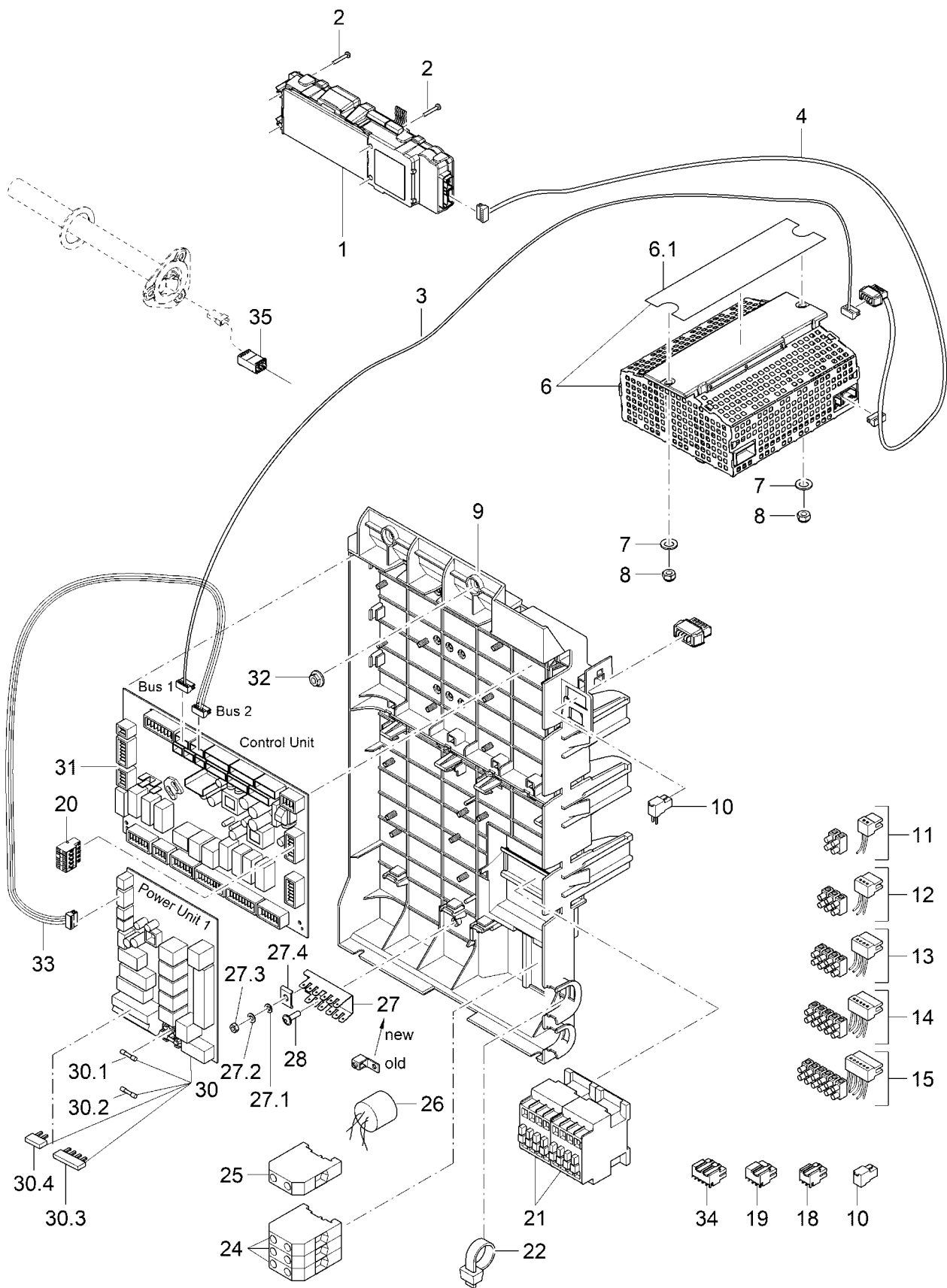


61008528-00
61008516-00

Hoses

Pos.	Part No.	Description; Dimensions	Quantity; Unit up to ...	from ...	Remarks
1	4001050	HOSE DN10 X 2,0	87 cm		
2	4001050	HOSE DN10 X 2,0	87 cm		
3	61007201	Moulded hose DN11 X 2,5; 221	1 Pc		
4	61007198	Moulded hose DN23 X DN26 X 3,5	1 Pc		
5	61009011	Moulded hose DN18 X DN24 X 3,5; 802	1 Pc		
6	30017729	Kit moulded hose universal DN13,5	1 Pc		cut to size
7	30017729	Kit moulded hose universal DN13,5	1 Pc		cut to size
8	30017775	Kit moulded hose universal DN10xDN13	1 Pc		cut to size
9	4002035	Industrial hose DN13 X 3,5	62,5 cm		
10	30011963	Moulded hose kit	1 Pc		
11	30017777	Kit moulded hose universal DN18xDN20	1 Pc		cut to size
12	30017777	Kit moulded hose universal DN18xDN20	1 Pc		cut to size
13	30017798	Kit moulded hose universal DN10	1 Pc		cut to size
14	30017798	Kit moulded hose universal DN10	1 Pc		cut to size
15	61006916	Moulded hose DN11 X 2,5; 191	1 Pc		PT-M EnergyPlus
16	4001050	HOSE DN10 X 2,0	87 cm		
17	30017798	Kit moulded hose universal DN10	1 Pc		cut to size
18	30017798	Kit moulded hose universal DN10	1 Pc		cut to size

Electric parts

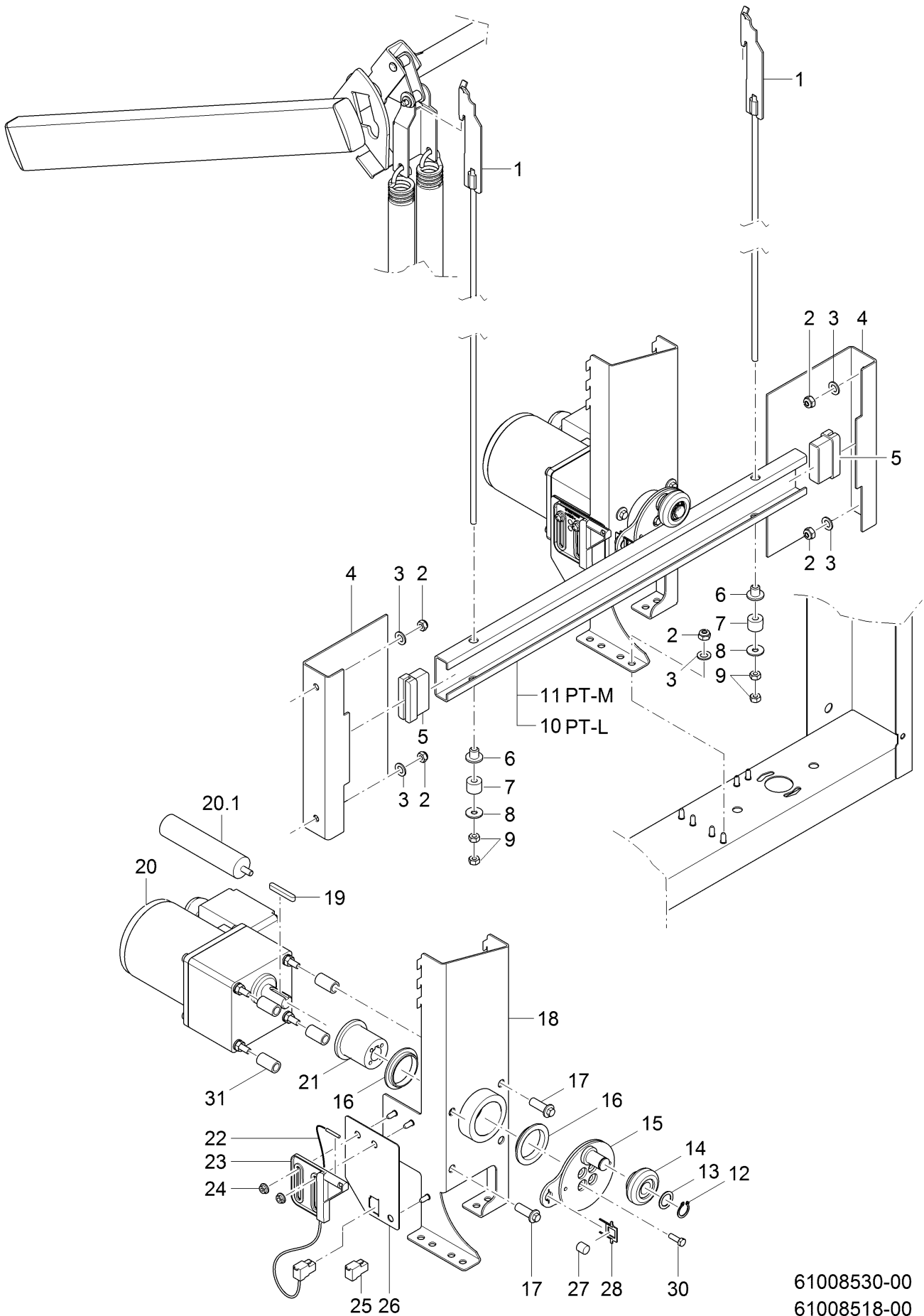


61008529-00
61008517-00

Electric parts

Pos.	Part No.	Description; Dimensions	Quantity; Unit up to ...	from ...	Remarks
1	30002175	Program control Master 60 X 225 X 30MM	1 Pc		
2	30001588	Lens head screw with Tuflok M3 X 20	4 Pc		
3	61007596	Bus cable 0,38QMM: 900MM	1 Pc		
4	61008211	Bus cable	1 Pc		
6	30017055	Kit frequency inverter	1 Pc		Alternatively predecessor 30002169 may be used
6.1	61007034	Heat conducting foil 0,25 X 55 X 200MM	1 Pc		
7	2205301	WASHER D5,3 X D15 X 1,2	2 Pc		
8	2105302	HEXAGONAL NUT M5	2 Pc		
9	30008699	Kit assembly plate	1 Pc		
10	3112091	Macro-module plug5, 2-pole 250V; 10A; 2,5MM ²	1 Pc		
11	30000197	KIT MACRO-MODULE PLUG SIZE 2,5 2-POLE	1 Pc		
12	30000198	KIT MACRO MODULE PLUG SIZE 2,5 3-POLE	1 Pc		
13	30002482	Kit macro module plug size 2,5 4-pole	1 Pc		
14	30002483	Kit macro module plug size 2,5 5-pole	1 Pc		
15	30002484	Kit macro module plug size 2,5 6-pole	1 Pc		
18	3112093	Macro-module plug5, 3-pole 250V; 10A; 2,5MM ²	1 Pc		
19	3112094	Macro-module plug5, 4-pole 250V; 10A; 2,5MM ²	1 Pc		
20	30002002	Macro module plug 250V; 10A; 2,5MM ²	1 Pc		
21	30000861	Contacto AF16 100-250V/50-60HZ AC/DC; 7, 5KW	1 Pc		400V3~; 440V3(N)~
22	3120015	CABLE TIE 200 X 4,7	1 Pc		
24	3109222	Twin terminal, grey	3 Pc		400V3~; 440V3(N)~; 230V3~ + I = 50A; 1N~ + I = 40/50A
25	3109223	Twin terminal, blue	1 Pc		1N~ + I = 40/50A
26	30001901	Throttle 275VAC;10A;2 X 0,3MH; +50% -30%	1 Pc		
27	30012669	Kit terminal block	1 Pc		
27.1	2303302	SPRING WASHER B5	1 Pc		
27.2	2202313	Washer D5,3 X D12 X 0,8	1 Pc		
27.3	2101303	Hexagonal nut M5	1 Pc		
27.4	60005688	CLAMP STRAP 3,15 X 14 X 19,7	1 Pc		
28	30000683	PT Screw KB 50 X 14	1 Pc		
30	30015495	P.C.B. Power Unit 230V +15/-20%; 50/60HZ	1 Pc		Alternatively predecessor 30002171 may be used
30.1	3111093	Fuse 250V; 10,0A; 5 X 20	1 Pc		
30.2	30008677	Slow blow fuse 250V; 2,5A; 5 X 20	1 Pc		
30.3	30001593	Fixed bridge, 3-fold	1 Pc		
30.4	30001592	Fixed bridge, 2-fold	2 Pc		
31	30002168	P.C.B. Control Unit	1 Pc		
32	2101310	Ratchet nut M5	2 Pc		
33	61009015	Bus cable 0,38 QMM; 770MM	1 Pc		
34	30000548	Macro-module plug 5, 5-pole 250V; 10A; 2,5MM ²	1 Pc		
35	61009660	Cable tank heating element 3 G 1,5 OR SIMILAR; 0,25 QMM, BU	1 Pc		Alternatively predecessor 61007638 may be used
40	61007239	Main wiring loom	1 Pc		
41	3123139	Mains cable, 5-wire 5 X 4,0QMM; 3500 LG	1 Pc		I: max. 25 A
42	3123148	Mains cable, 5-wire 5 X 6,0QMM; 3500 LG	1 Pc		I: max. 32 A
43	3123158	Mains cable, 4-wire 4 X 6,0QMM; 5000 LG	1 Pc		I: max. 32 A
44	3123145	Mains cable, 3-wire 3 X 6,0QMM; 3500 LG	1 Pc		I: max. 32 A

Automatic hood opening (option)

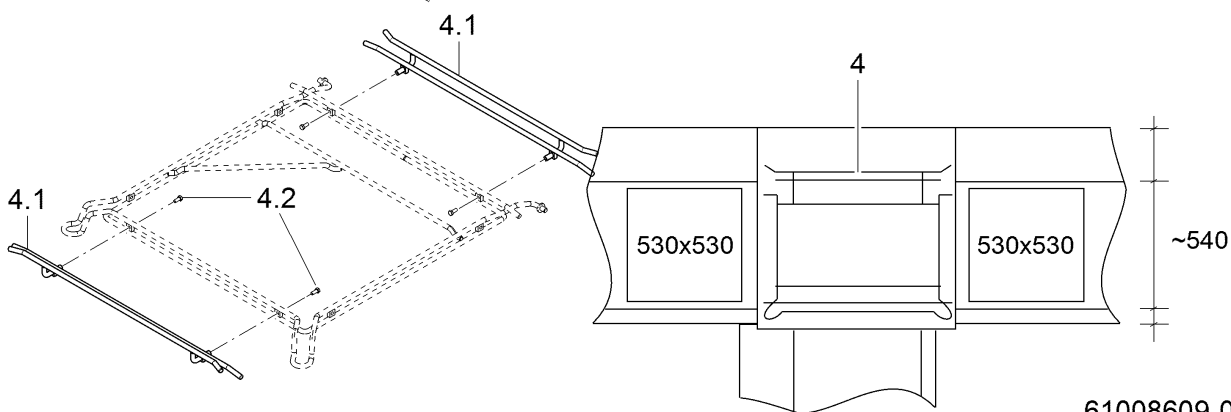
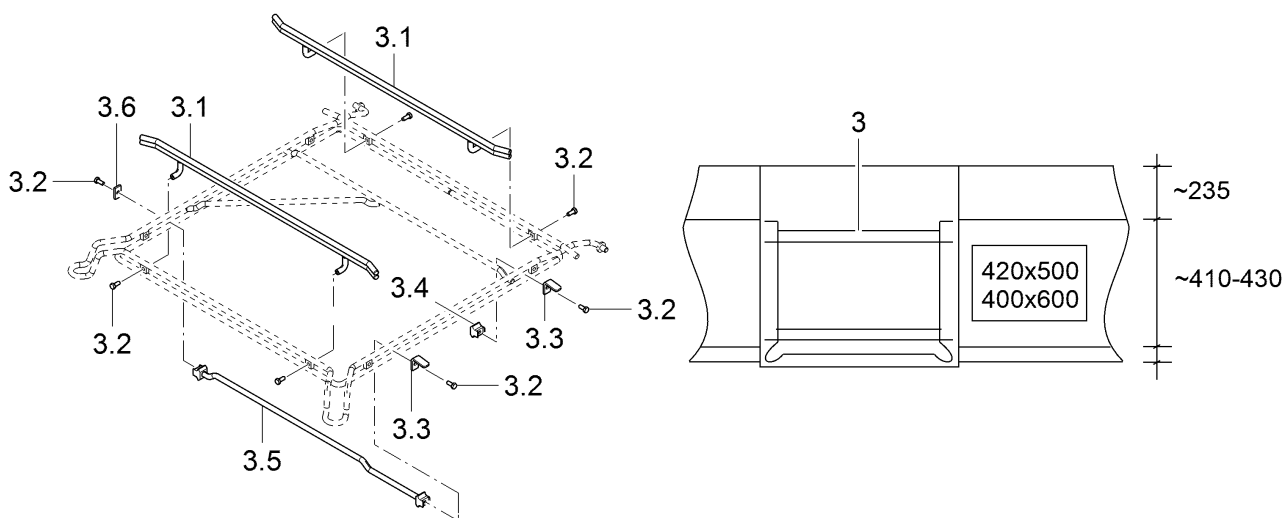
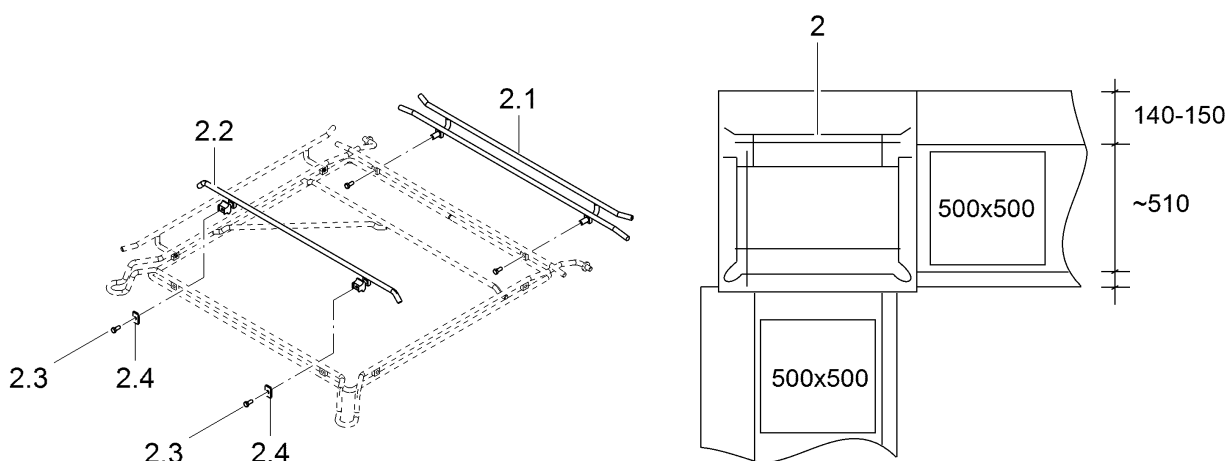
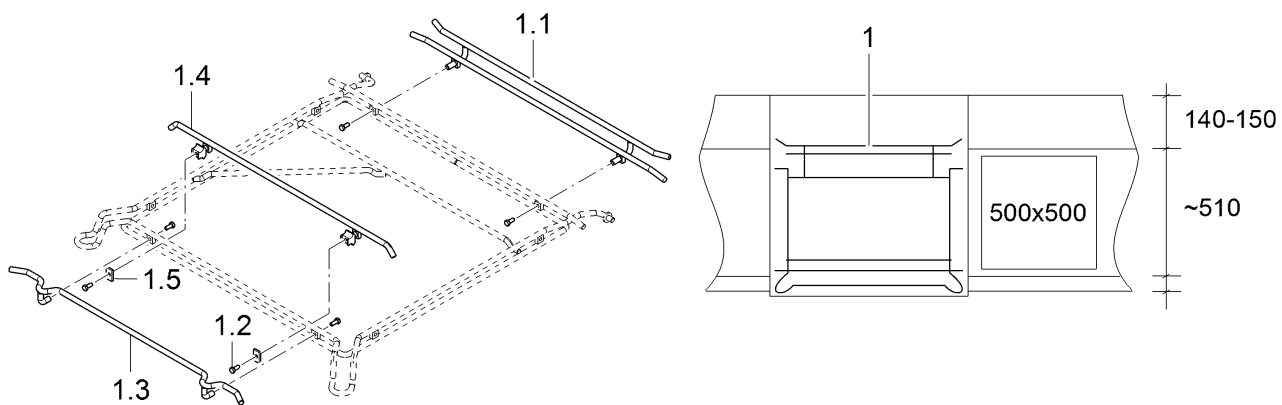


61008530-00
61008518-00

Automatic hood opening (option)

Pos.	Part No.	Description; Dimensions	Quantity; Unit up to ...	from ...	Remarks
1	61008072	Tension rod	2 Pc		
2	2105302	HEXAGONAL NUT M5	1 Pc		
3	2205301	WASHER D5,3 X D15 X 1,2	1 Pc		
4	61008065	Guiding 2,0 X 190,57 X 210	2 Pc		
5	61008067	Slinging bearing 18 X 30 X 52	2 Pc		
6	61008483	Sleeve D6,4 X D18 X 12	2 Pc		
7	30002211	Buffer D16 X 12	2 Pc		
8	2205302	Washer D6,4 X D18 X 1,6	2 Pc		
9	2101304	HEXAGONAL NUT M6	4 Pc		
11	61008066	Console 2,0 X 95,69 X 536,6	1 Pc		
12	30001996	Locking ring D14	1 Pc		
13	60003487	WASHER D14,10 X D20 X 1,0	3 Pc		
14	61007380	Roller	1 Pc		
15	61008074	Eccentric disc	1 Pc		
16	30002096	Sliding Bearing with collar D35 X D39 X D47 X 12	2 Pc		
17	61007750	Hexagon screw D8,5 X M6 X 30; SW8	4 Pc		
18	61008070	Bracket	1 Pc		
19	30002095	Feather key A5 X 5 X 36	1 Pc		
20	30008097	Kit Gear motor 0,025 kW 200-240V/+/-10%; 50-60HZ;IP54	1 Pc		
20.1	30002710	Capacitor D=25MM X 86MM	1 Pc		
21	61007736	Hub D35 X D45 X 39,8	1 Pc		
22	30000364	KIT MAGNET SWITCH 25,5 X D5,8	1 Pc		
23	61007080	Bracket 8,4 X 63,3 X 80,6	1 Pc		
24	2101310	Ratchet nut M5	2 Pc		
25	30000197	KIT MACRO-MODULE PLUG SIZE 2,5 2-POLE	1 Pc		
26	61008484	Holder 1,2 X 80 X 110	1 Pc		
27	3124191	Magnet D10 X 10	1 Pc		
28	61008080	Bracket 1,2 X 26 X 27,5	1 Pc		
30	30008858	Hexagon screw with Tuflok M5 X 16;	4 Pc		
31	61009033	Distance bushing D13 X 23	4 Pc	3025911	

Accessories

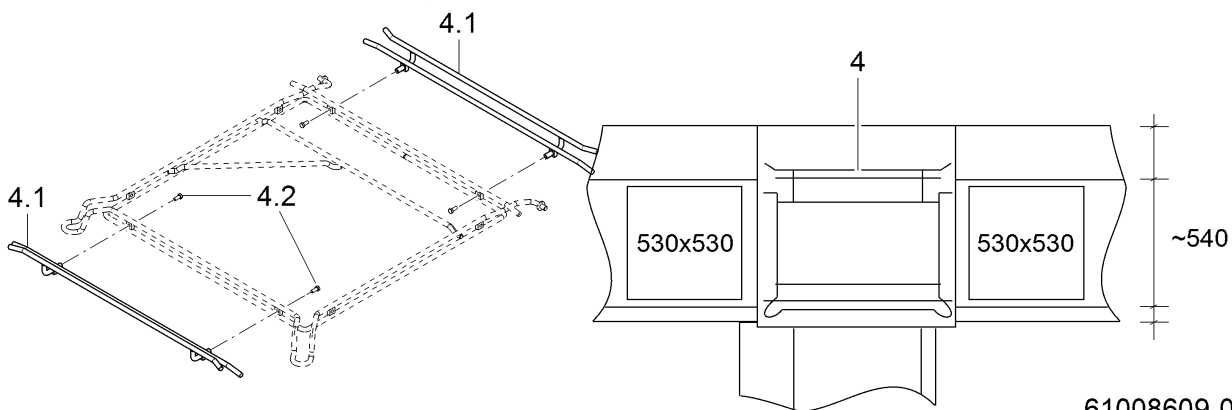
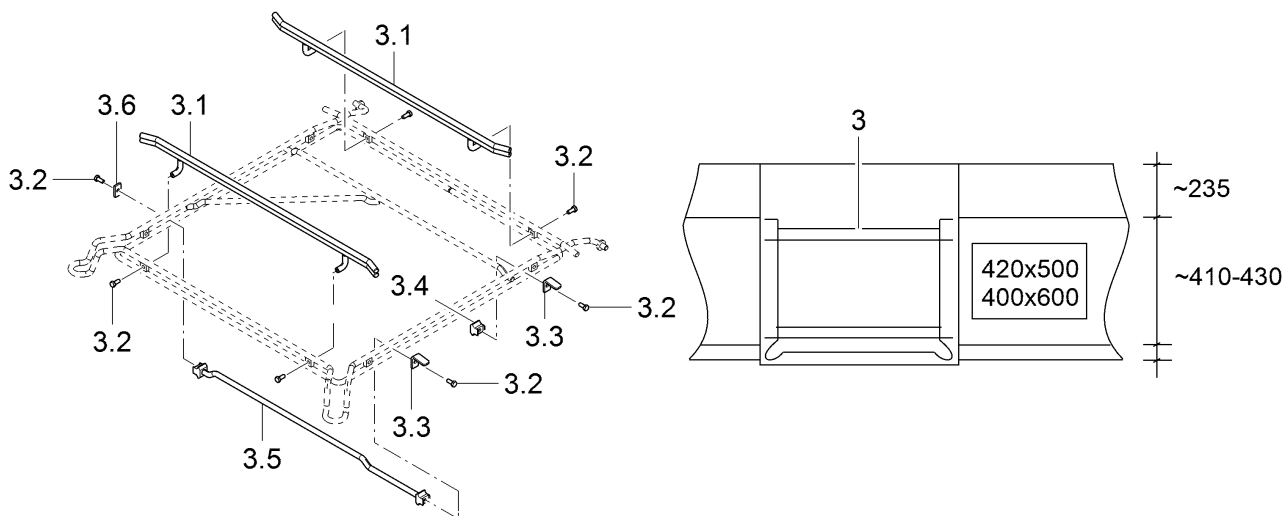
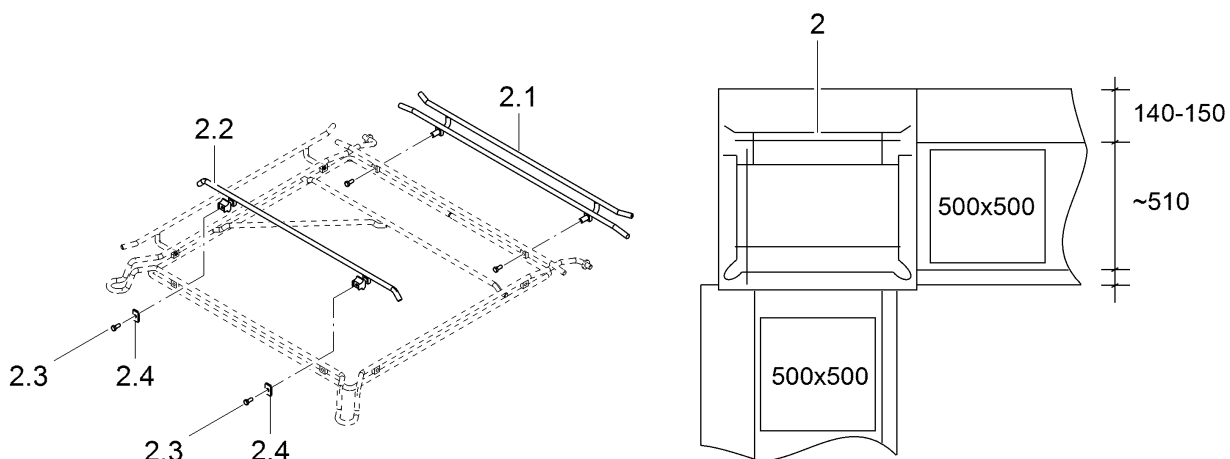
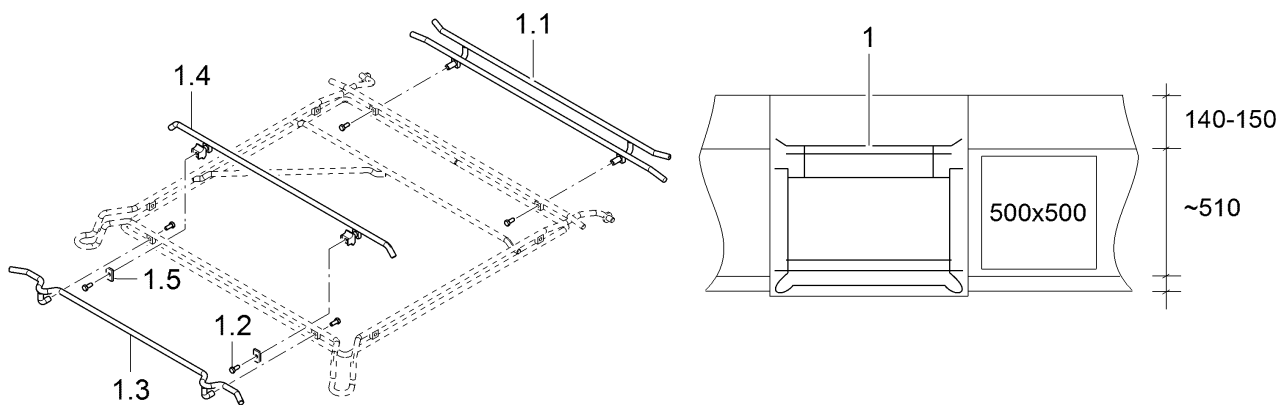


61008609-00

Accessories

Pos.	Part No.	Description; Dimensions	Quantity; Unit up to ...	from ...	Remarks
1	30002497	Conversion kit rack guide	1 Pc		Wall distance 140 - 150 mm; straight installation
1.1	61007371	Guide rail	1 Pc		
1.2	30012713	Hexagon screw with sliding coating M5 X 12; A70	1 Pc		
1.3	61008561	Guide rail	1 Pc		
1.4	61008577	Support	2 Pc		
1.5	61007167	Washer 3,0 X 12 X 20	6 Pc		
2	30008173	Conversion kit rack guide	1 Pc		Wall distance 140 - 150 mm; Corner version
2.1	61007371	Guide rail	1 Pc		
2.2	61008577	Support	1 Pc		
2.3	30012713	Hexagon screw with sliding coating M5 X 12; A70	4 Pc		
2.4	61007167	Washer 3,0 X 12 X 20	2 Pc		
3	30002498	Conversion kit rack guide	1 Pc		for rack 420 x 500; Wall distance 235 mm; straight installation
3.1	61007470	Guide rail	2 Pc		
3.2	30012713	Hexagon screw with sliding coating M5 X 12; A70	1 Pc		
3.3	61007220	Elbow 3,0 X 12 X 44,28	2 Pc		
3.4	61007104	Bush 15,3 X 20; D8,2; M5	1 Pc		
3.5	61007367	Bracket	1 Pc		
3.6	61007167	Washer 3,0 X 12 X 20	7 Pc		
4	30002751	Conversion kit rack guide 530 mm	1 Pc		for rack 530 x 530
4.1	61007369	Guide rail	2 Pc		
4.2	30012713	Hexagon screw with sliding coating M5 X 12; A70	4 Pc		
10	30000008	Fluidos DT "Detergent" retrofit kit	1 Pc		
20	30002518	3. dosing pump PT-series	1 Pc		
30	80004006	Working height elevation 900 mm	1 Pc		
40	30002521	Working height elevation 950 mm	1 Pc		
50	30002758	Fitting automatic hood lifting	1 Pc		Beim Einbau müssen Schweissbolzen angebracht werden
60	30002565	Conversion kit boiler 10.8 kW	1 Pc		
70	30002147	Conversion hood handle	1 Pc		Installation instead of hood handle
80	61007739	Twinset compl.	1 Pc		Allowed combinations see pdf
81	61010347	TwinSet light	1 Pc		Allowed combinations see pdf
110	75202913	Wall connection set	1 Pc		Table depth 700mm (711V); Corner version
120	75203511	Wall connection set	1 Pc		Table depth 750mm (712V); Corner version
130	30008121	Vapour guard PT-M	1 Pc		
150	61008792	Wedge 300	1 Pc		new entry height: 300 mm (PT-M, PT-L)
170	61008794	Wedge 325	1 Pc		new entry height: 325 mm (PT-M, PT-L)
180	61008795	Wedge 350	1 Pc		new entry height: 350 mm (PT-M, PT-L)
190	61008796	Wedge 375	1 Pc		new entry height: 375 mm (PT-M, PT-L)
200	61008797	Wedge 400	1 Pc		new entry height: 400 mm (PT-M, PT-L)

Accessories



61008609-00

Accessories

Pos.	Part No.	Description; Dimensions	Quantity; Unit up to ...	from ...	Remarks
210	61008798	Wedge 425	1 Pc		new entry height: 425 mm (PT-M, PT-L)
220	61008863	Unloaded start set	1 Pc		PT-M ClimatePlus
230	30008522	Wall fastening noice reduc. PT-M ClimatePlus	1 Pc		PT-M ClimatePlus

Winterhalter Gastronom GmbH
Gewerbliche Spülsysteme

Winterhalterstraße 2–12
88074 Meckenbeuren
Deutschland
Telefon +49 (0) 75 42/4 02-0

www.winterhalter.de
info@winterhalter.de

Winterhalter Gastronom GmbH
Commercial Dishwashing Systems

Winterhalterstrasse 2–12
88074 Meckenbeuren
Germany
Telephone +49 (0) 75 42/4 02-0

www.winterhalter.com
info@winterhalter.com